

# 35308/35309

產品編號: 35308/35309

# scale 1/35

1:35 比例



## 1/35 LRDG F30 Wireless Truck

Go through this assembly guide and understand it before you start kit assembly  
Use usual plastic kit's cements and tools (not included in the kit)  
Follow painting guide supplied, use only hobby paints  
Work carefully with photo etched parts if included, use C/A glues to assemble them

請您在組裝此產品前仔細閱讀組裝指南;  
請使用通用塑膠模型黏合劑和工具(本產品不附帶);  
本產品所以提供的噴塗指南只適用本於模型;  
如果本產品含有蝕刻套件,請小心仔細處理, 請使用C/A膠水組裝;

組み立て前にこの組み立てガイドをご覧ください。  
プラスチックキット専用接着剤と専用工具をご使用ください。(ともにキットには含まれていません)  
塗装ガイドに従ってください。専用塗料をご使用ください。  
エッチングパーツの組み立ては細かいパーツのため注意が必要です。また接着には瞬間接着剤を使用してください。



cut/remove

切下 / 移除

切断/切り離し



drill hole

鑽孔

ドリル穴



no glue

不適用膠水

接着しない



bend

折彎

折り曲げ



cyanoacrylate glue

氰基丙烯酸酯膠水

瞬間接着剤



string or wire

細繩或者金屬絲線

糸または金属線



rope

繩

ひも



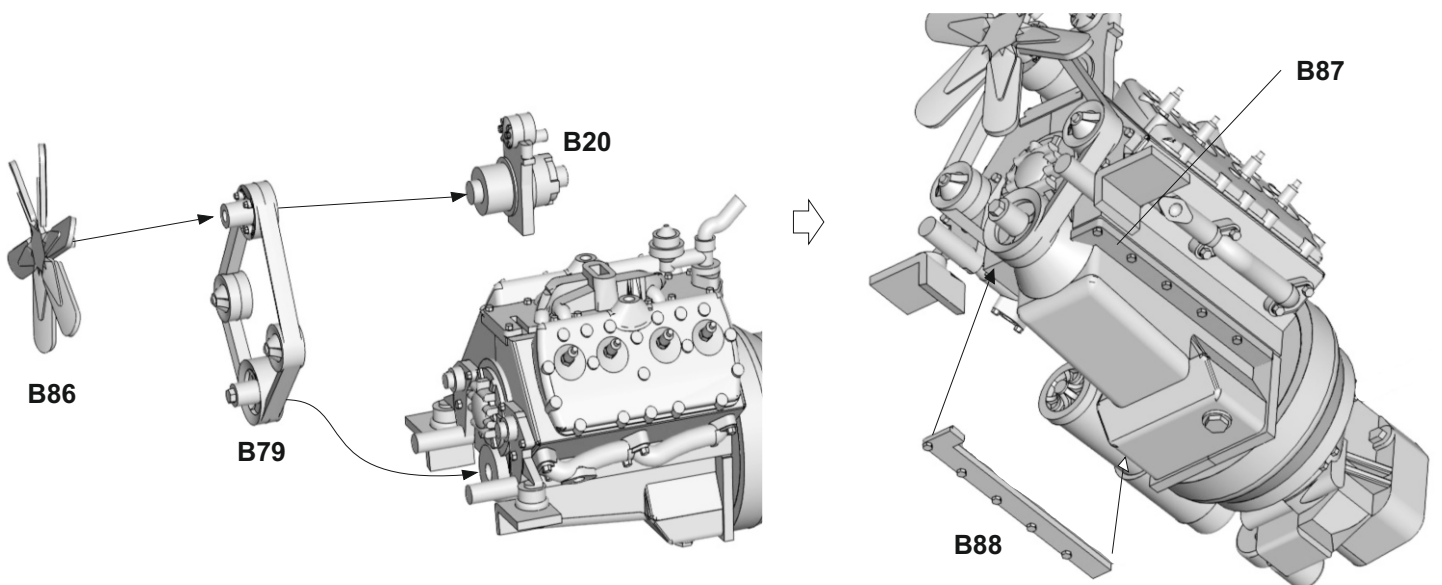
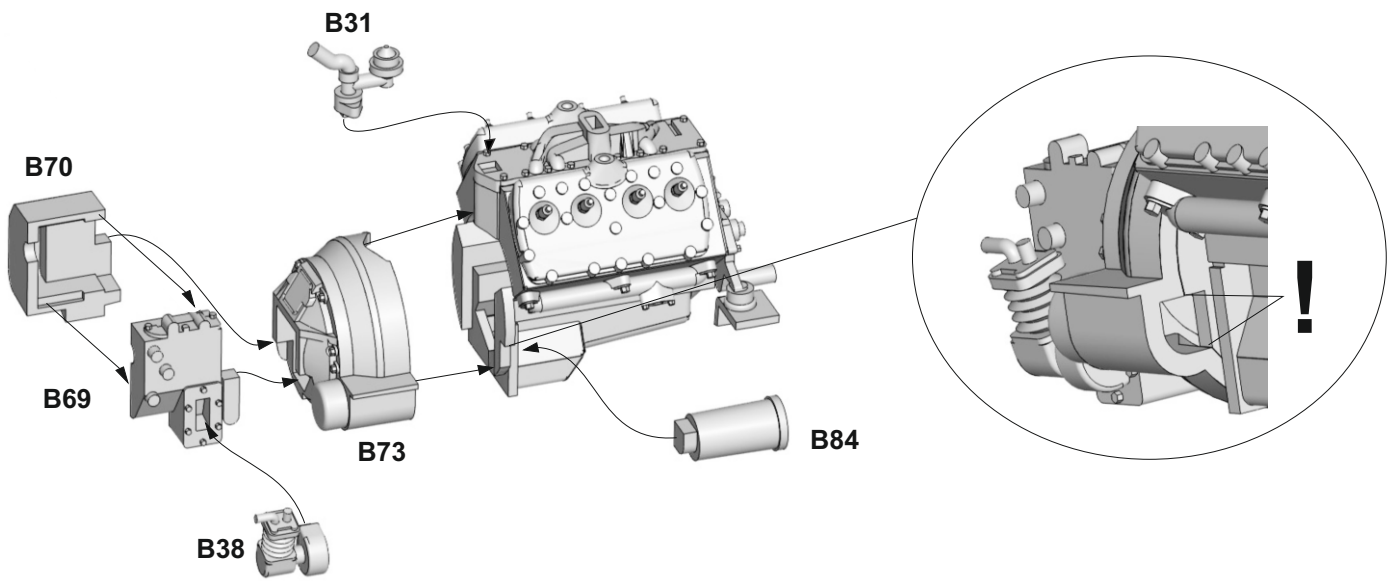
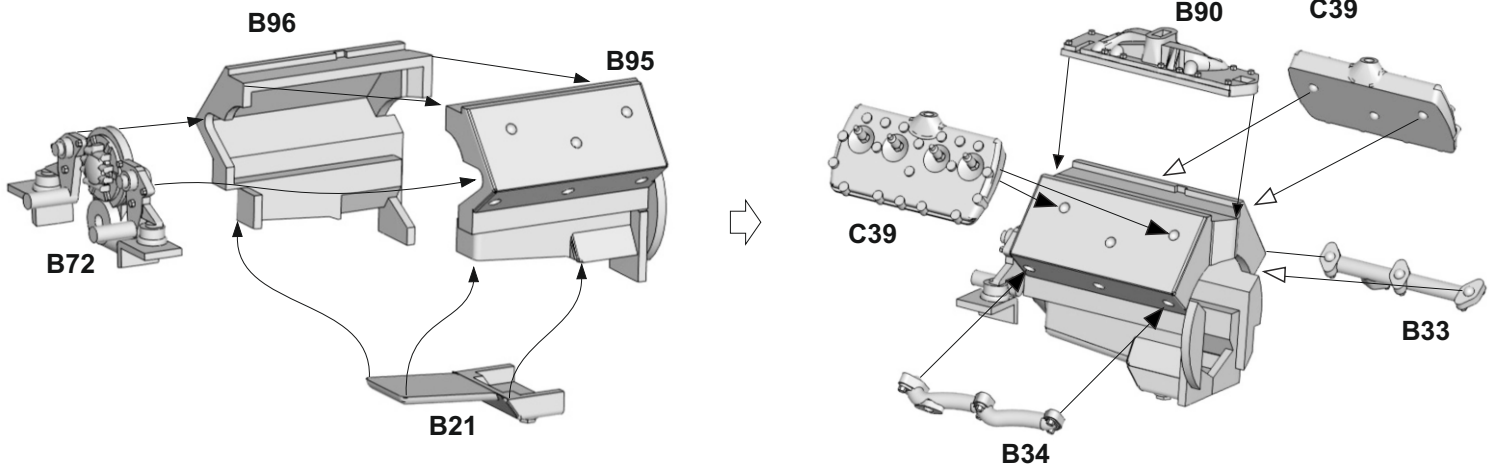
PE - press rivets (lines)  
from the etched off side

蝕刻片 -  
請从蝕刻掉的一側壓铆釘 (線)

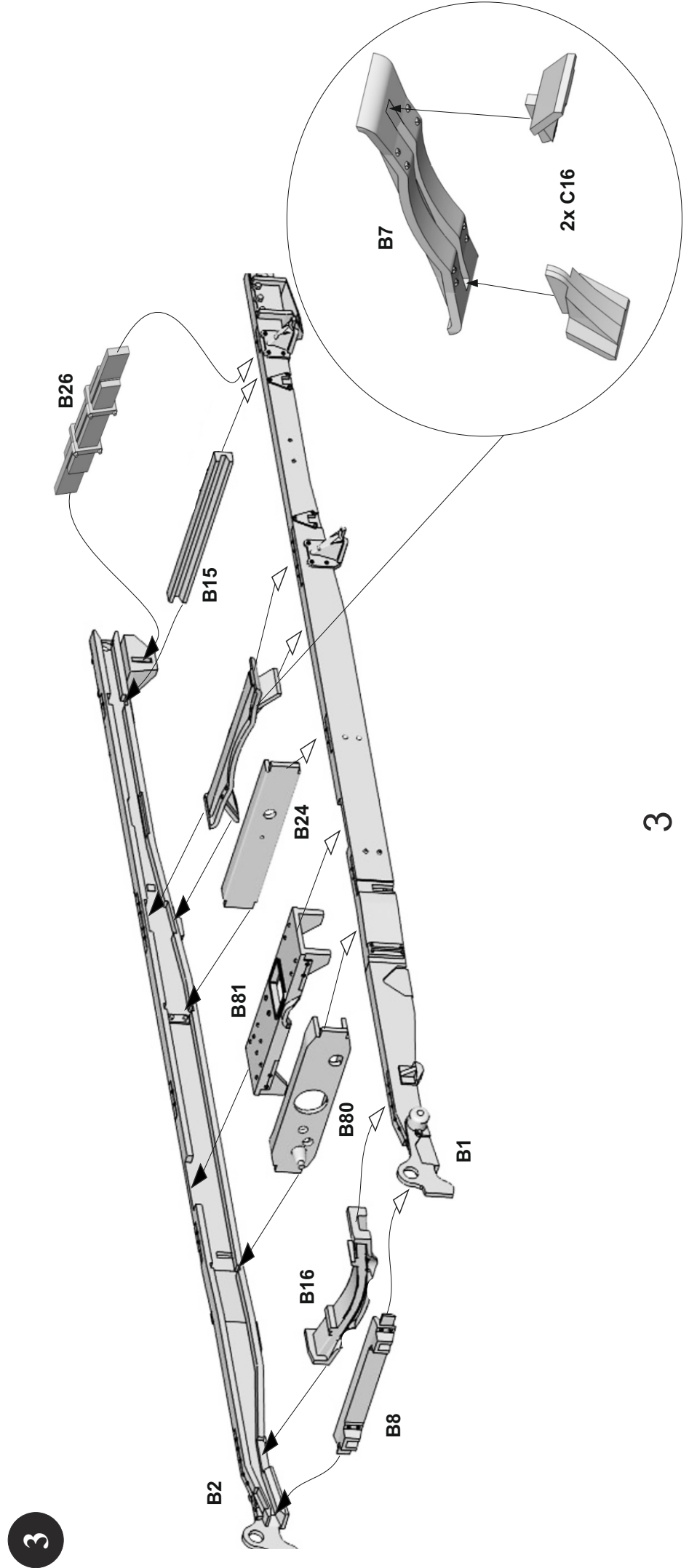
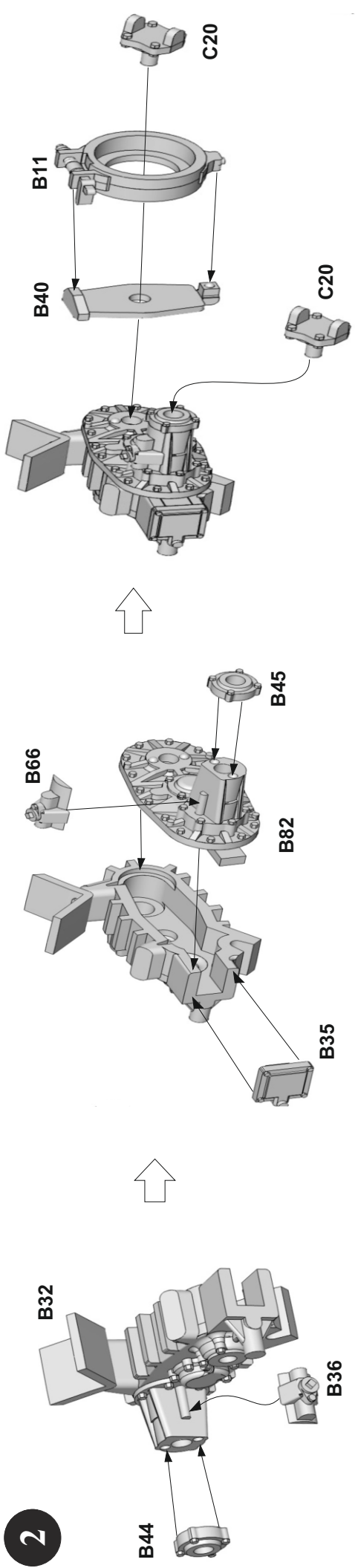
ラインやリベット部分を未エッチング面から圧を与える

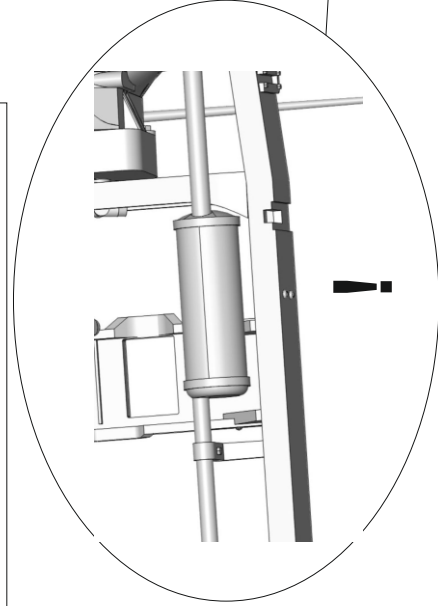
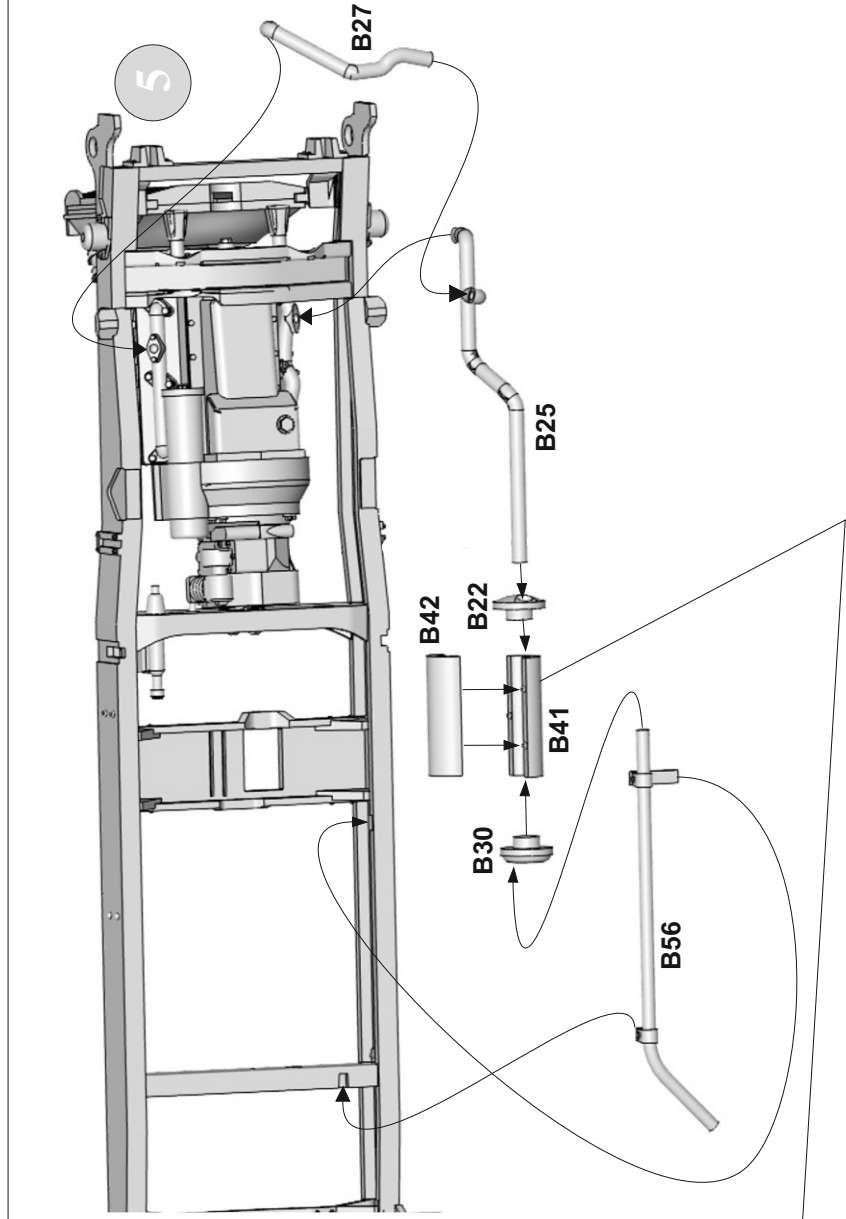
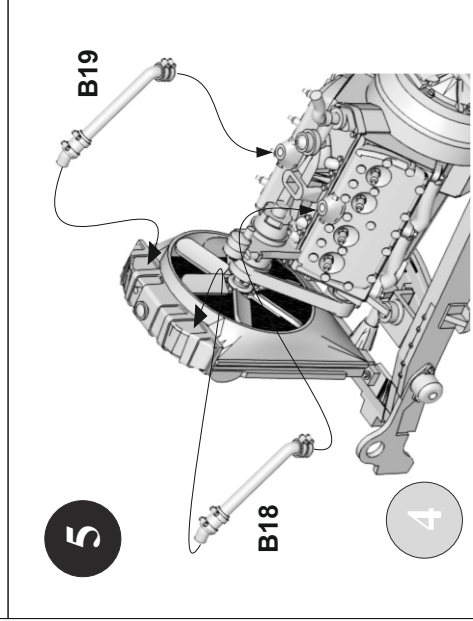
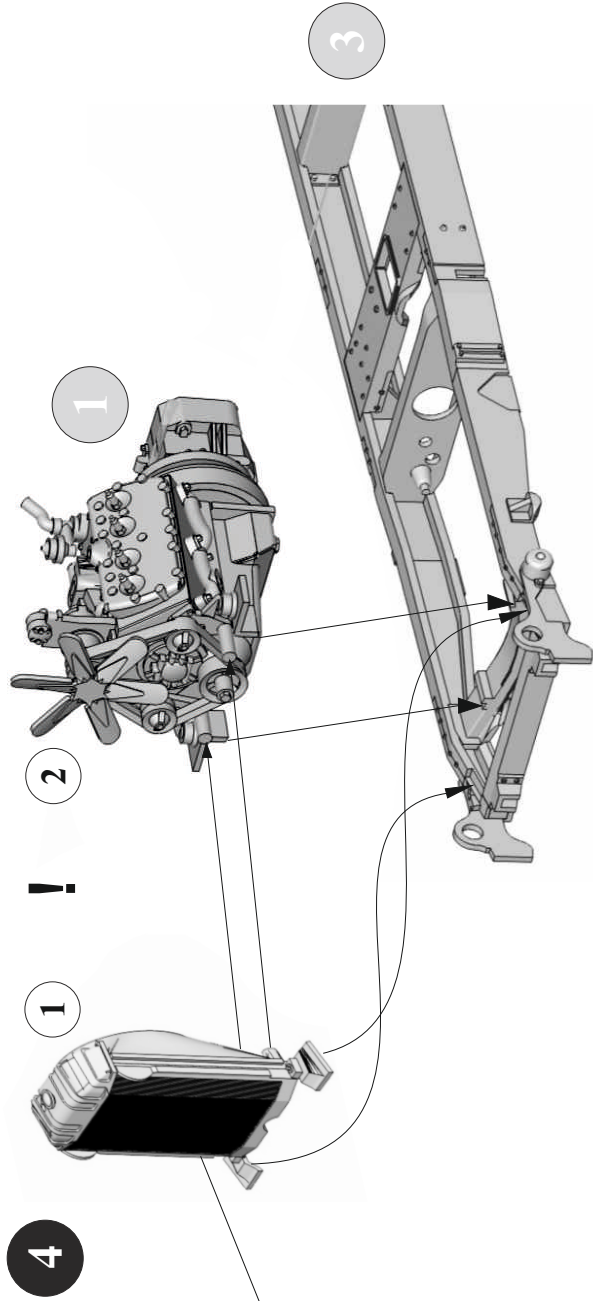
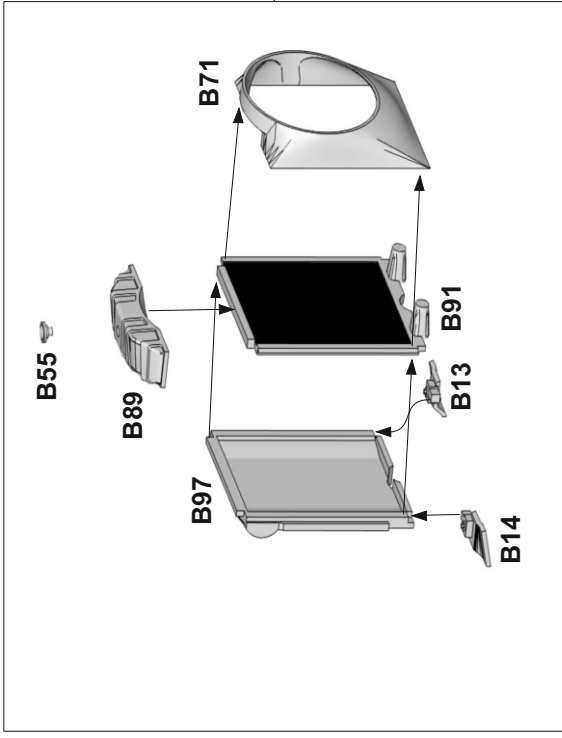
**1**

Paint blue grey or green for engine block, and black or dark grey for ancillary pieces such as filters etc



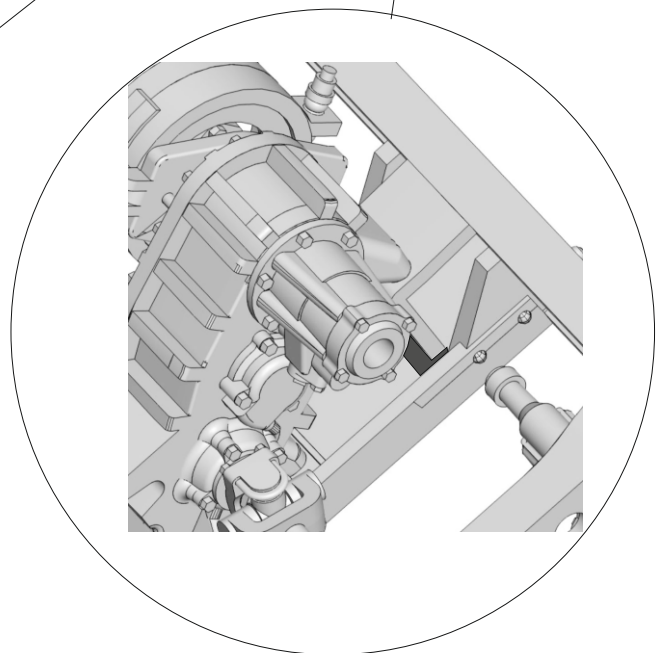
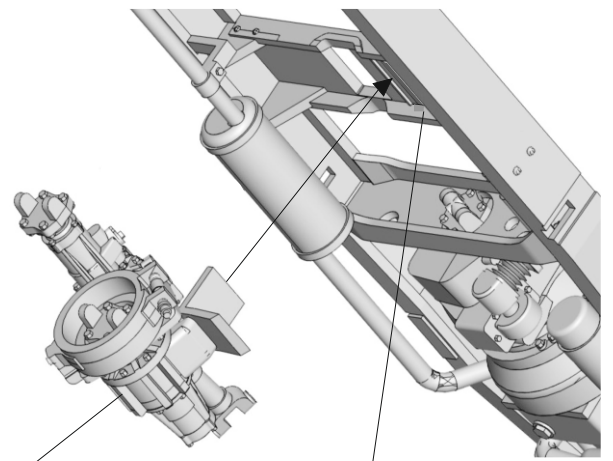
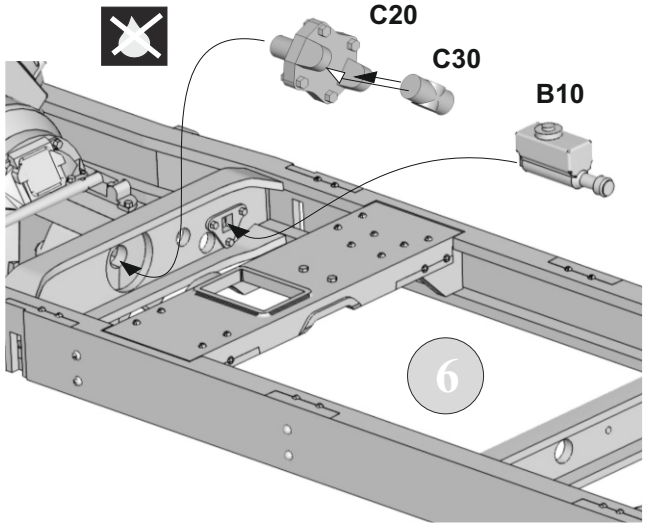
**2**



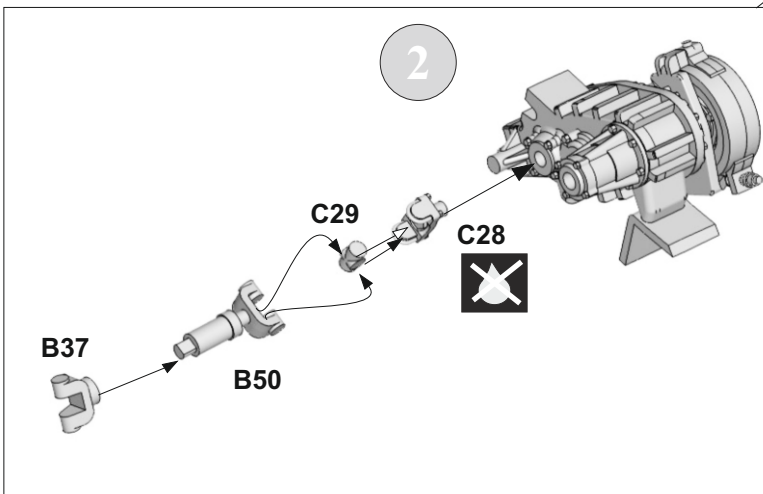




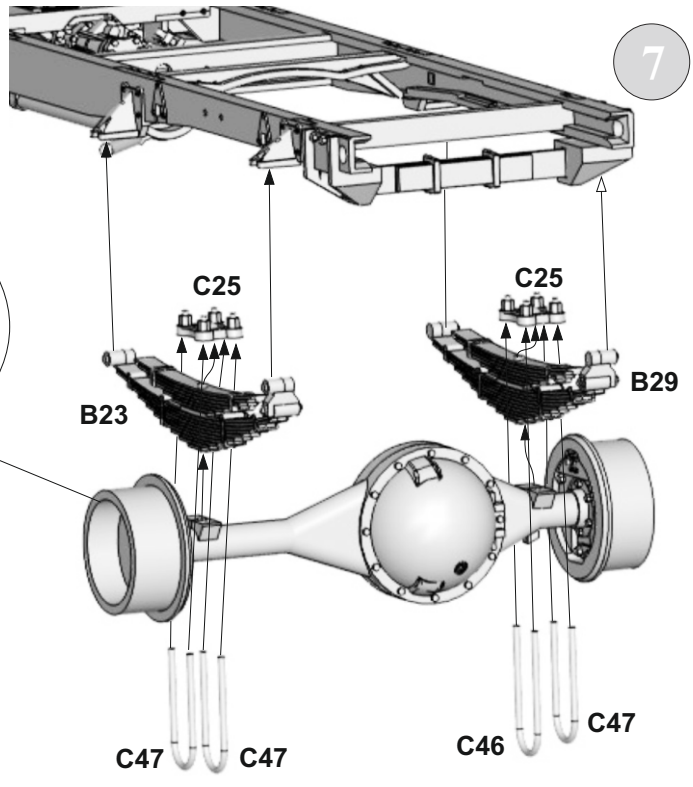
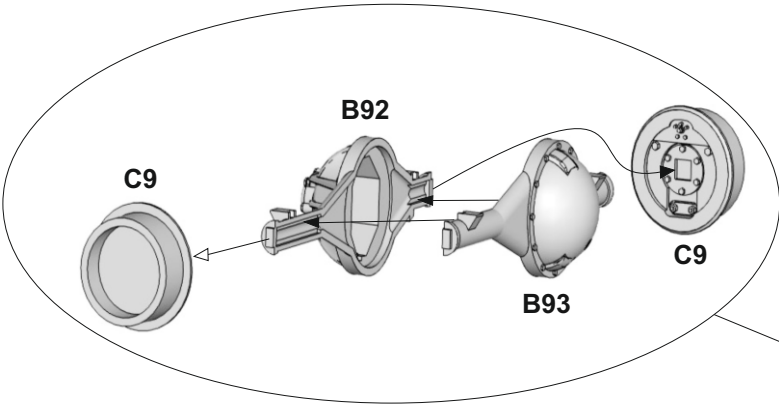
7

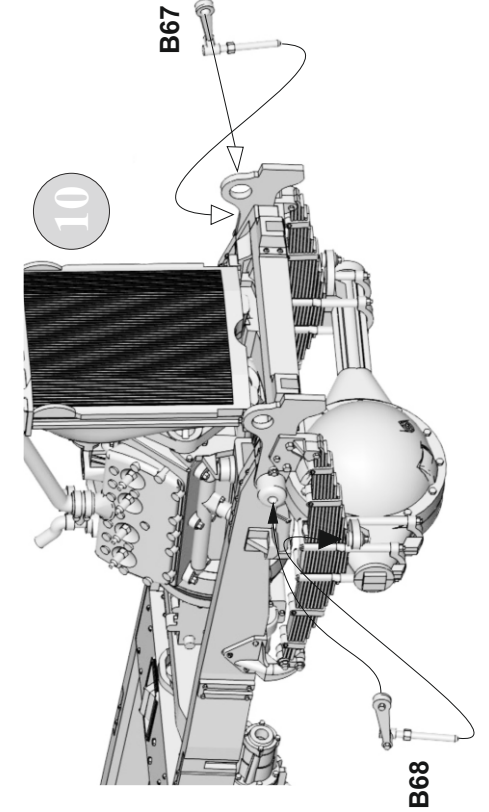
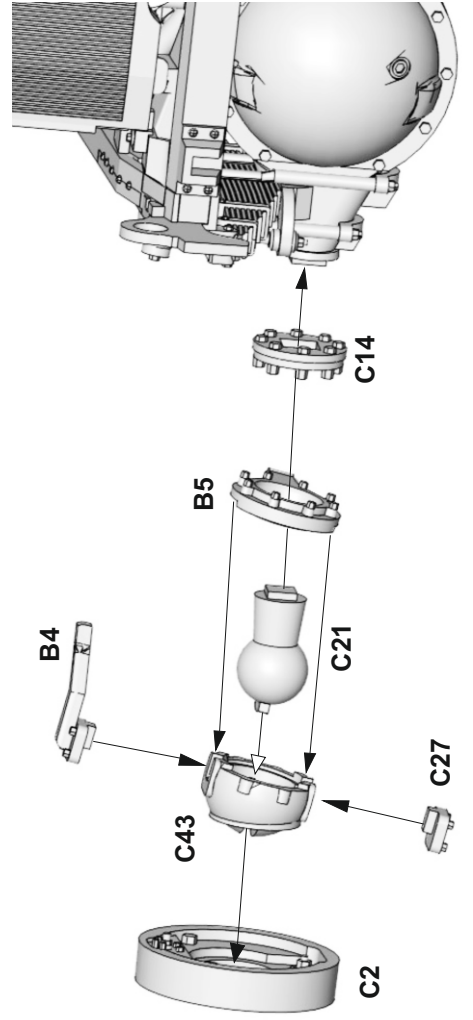
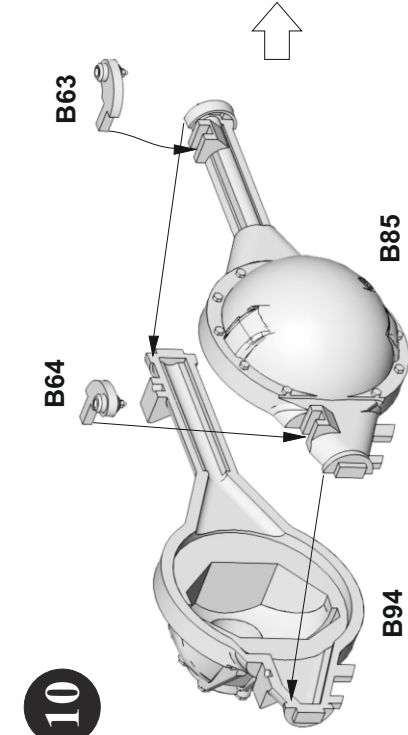
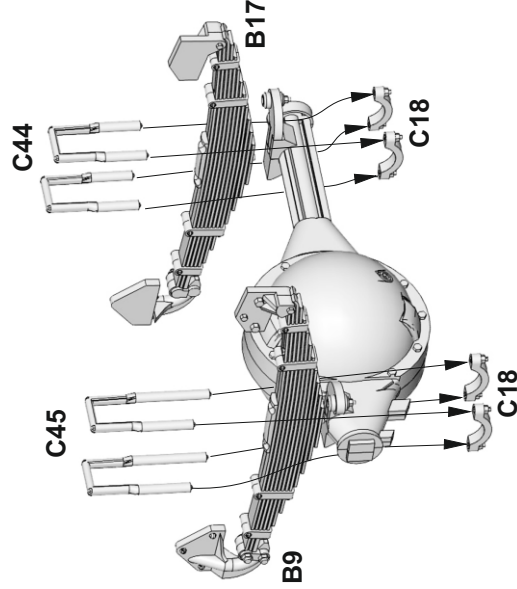
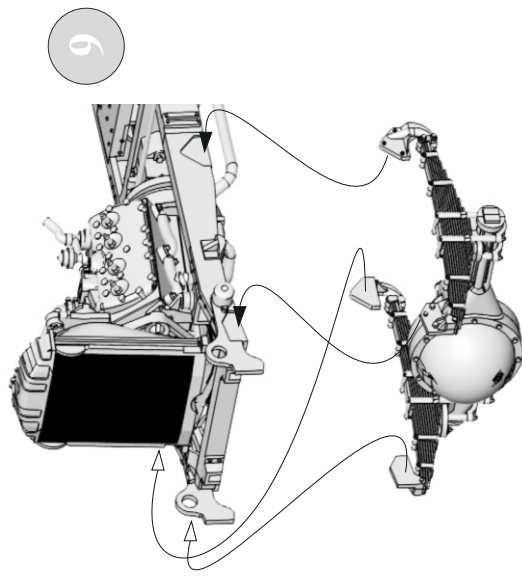
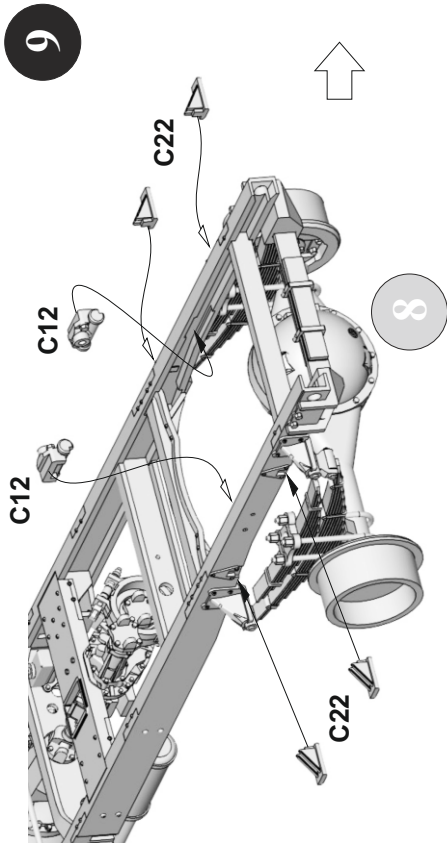
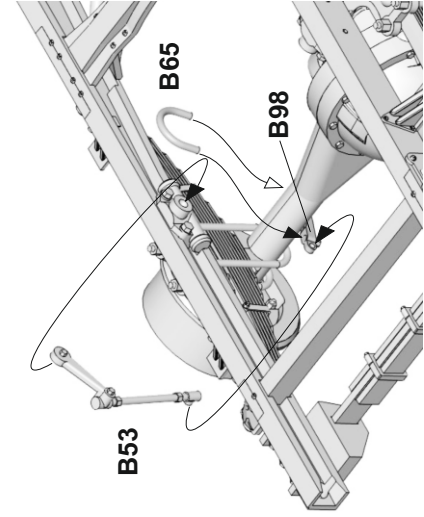
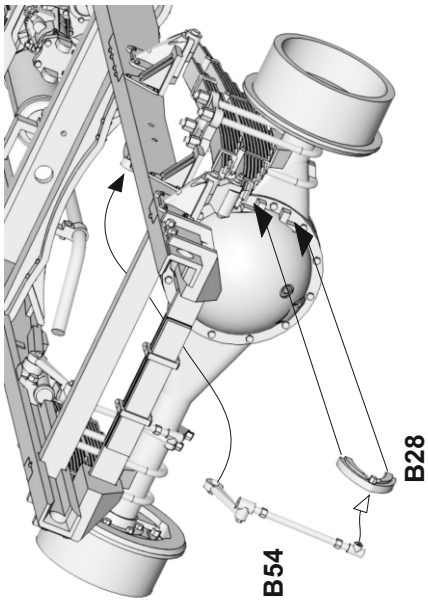


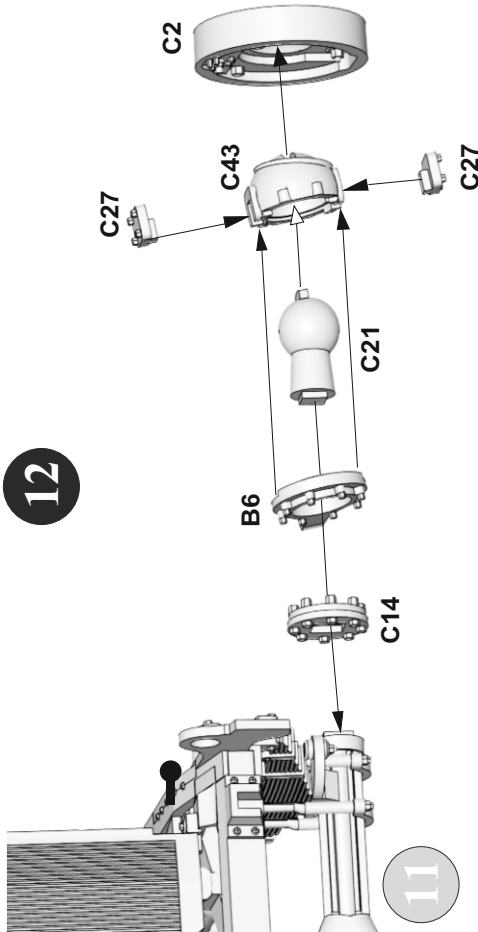
2



8

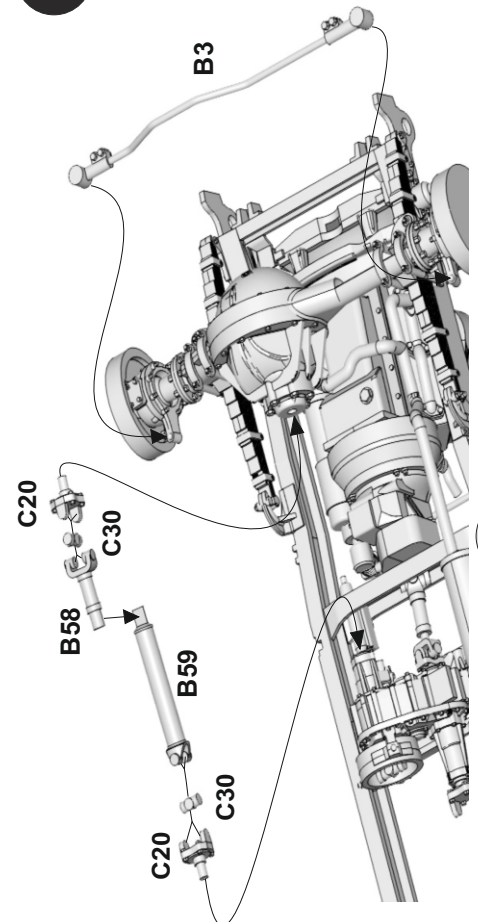




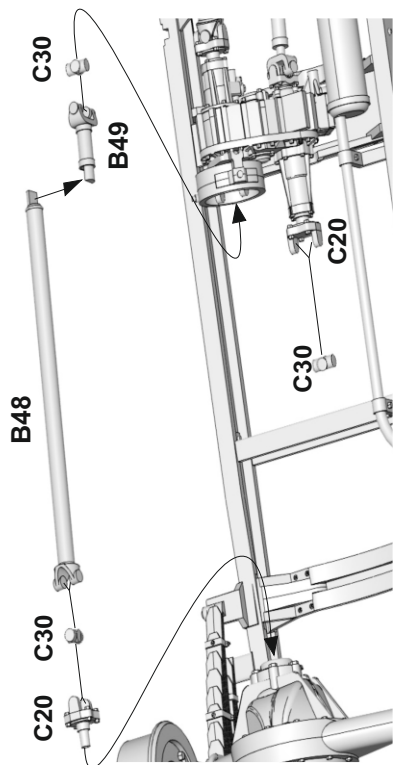


12

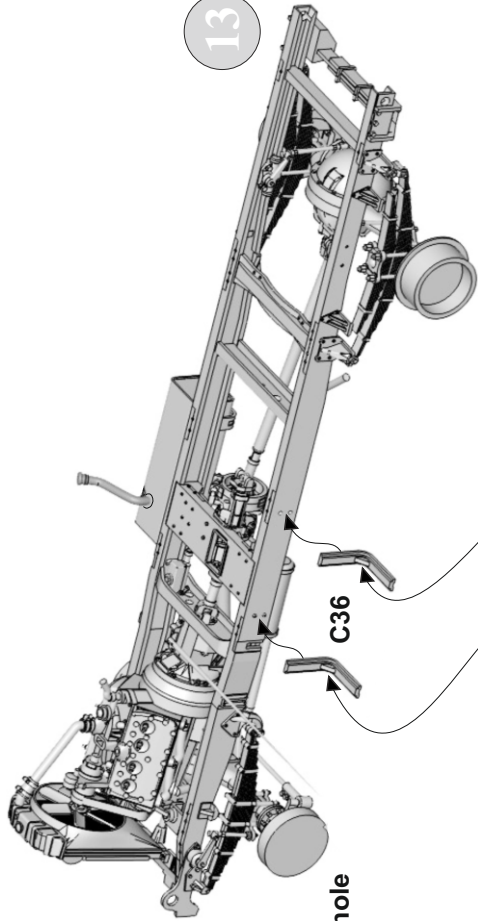
13



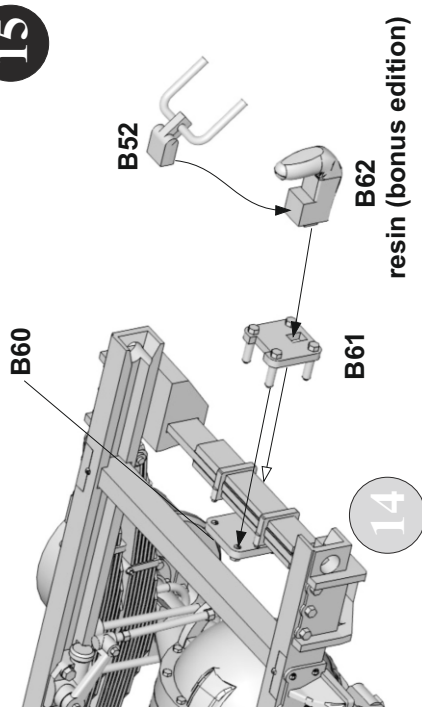
12



14



drill marked hole  
1.3mm



15

14

B62 resin (bonus edition)

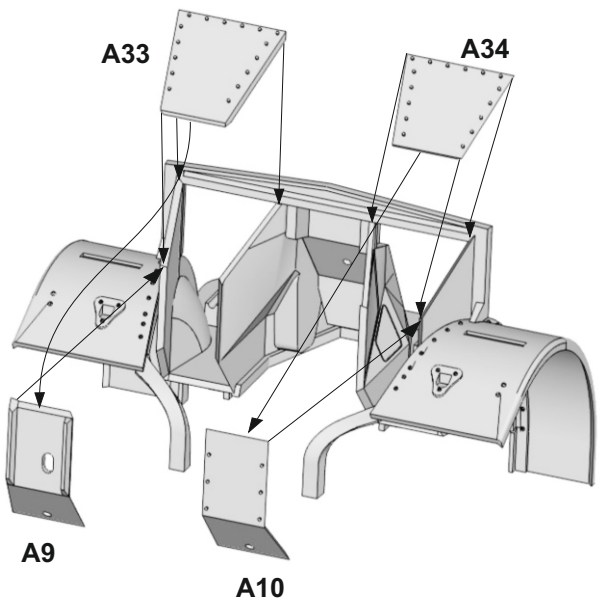
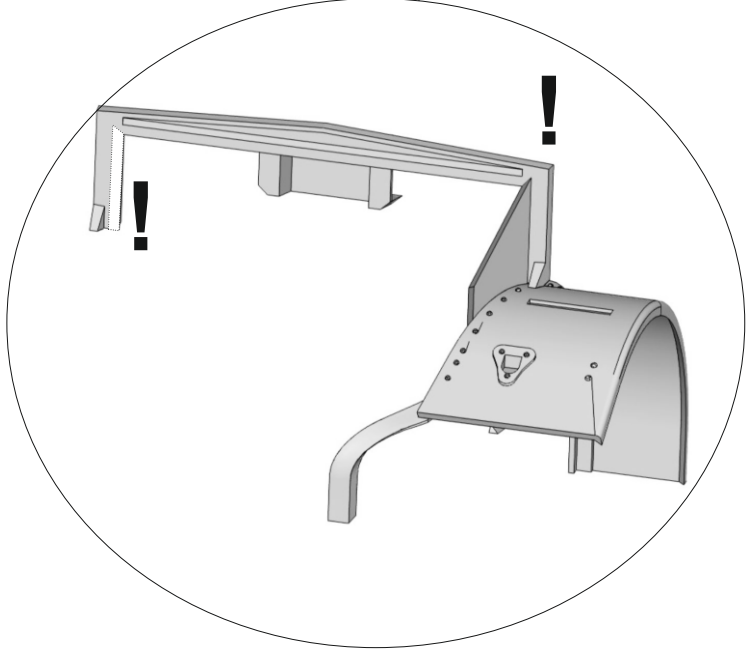
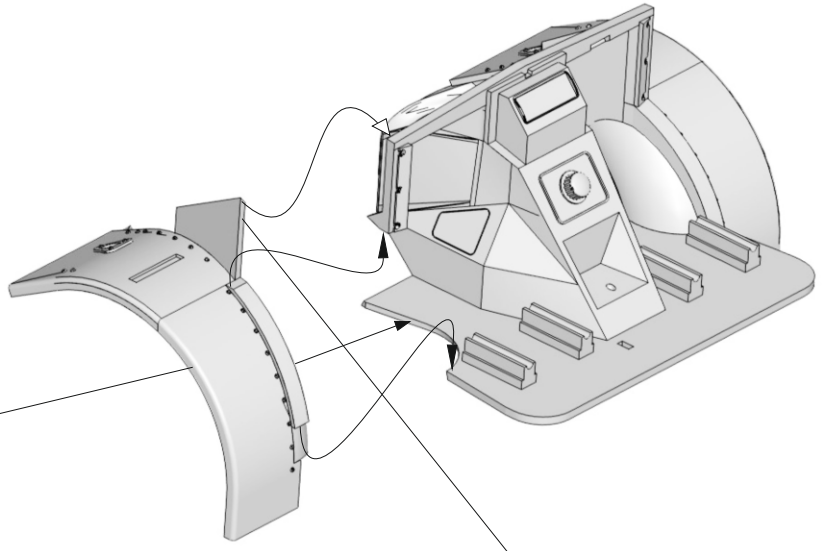
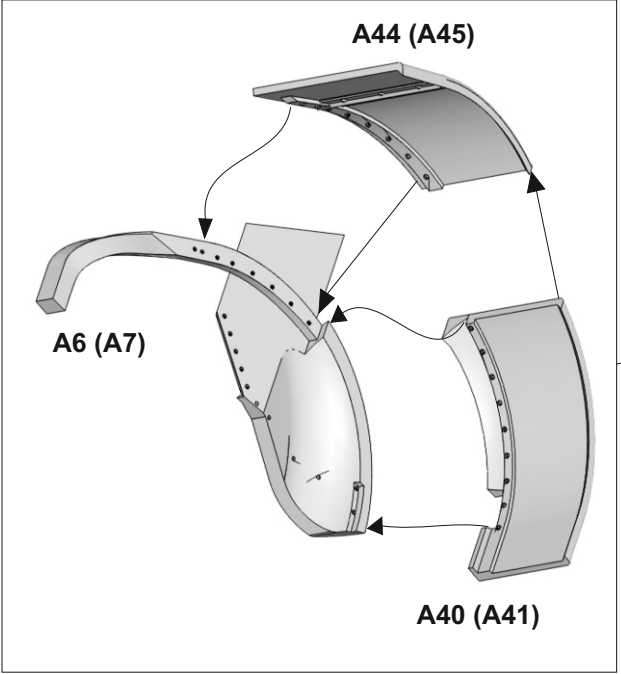
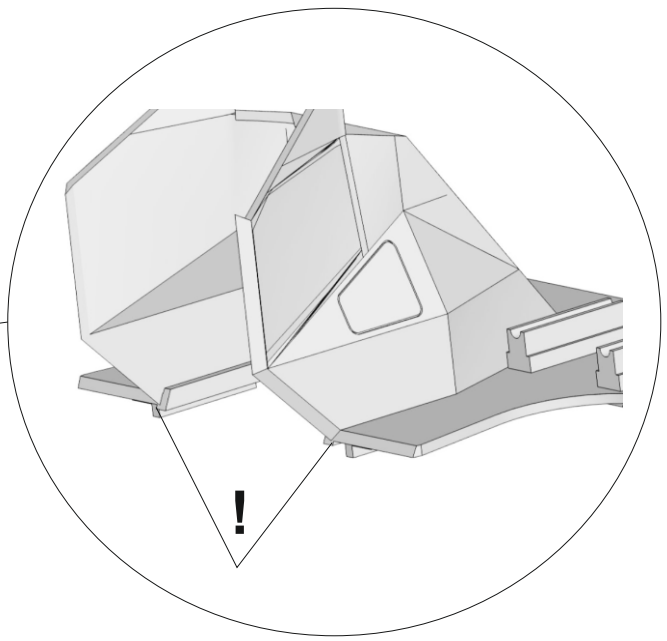
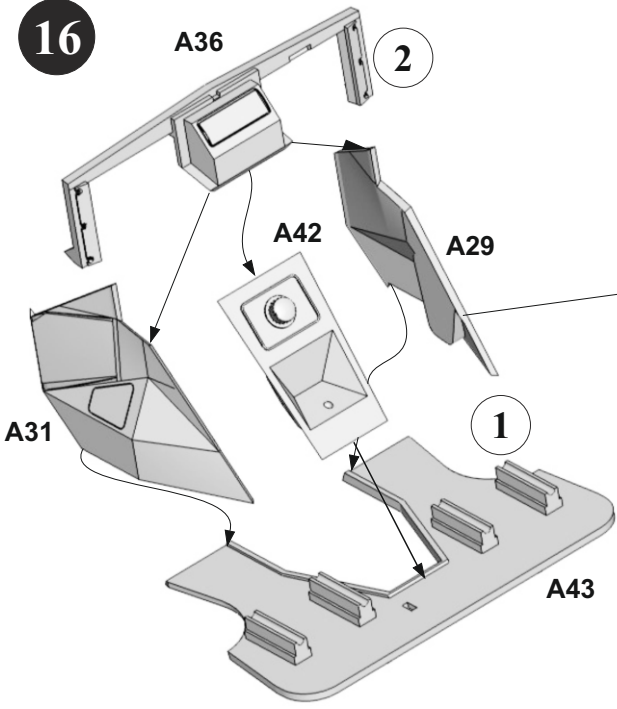
C5 (C4)  
remove offset

make, left and right

7

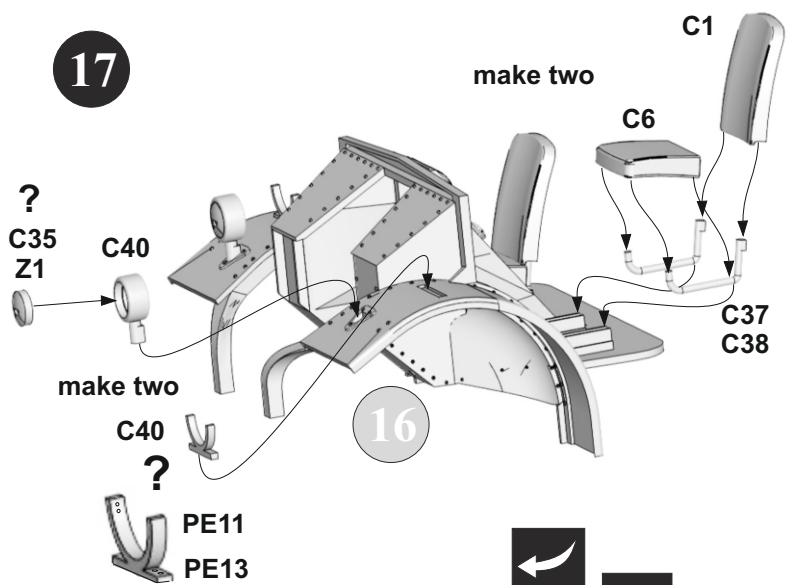


16

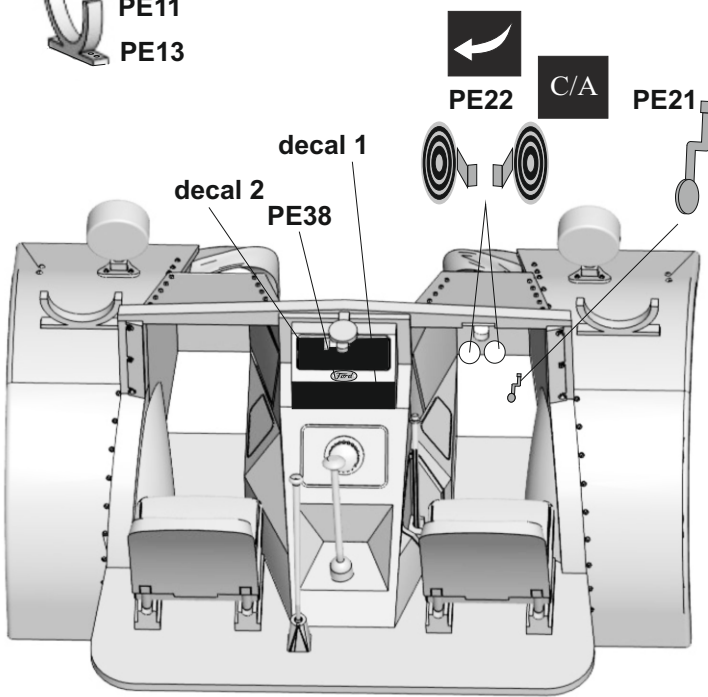




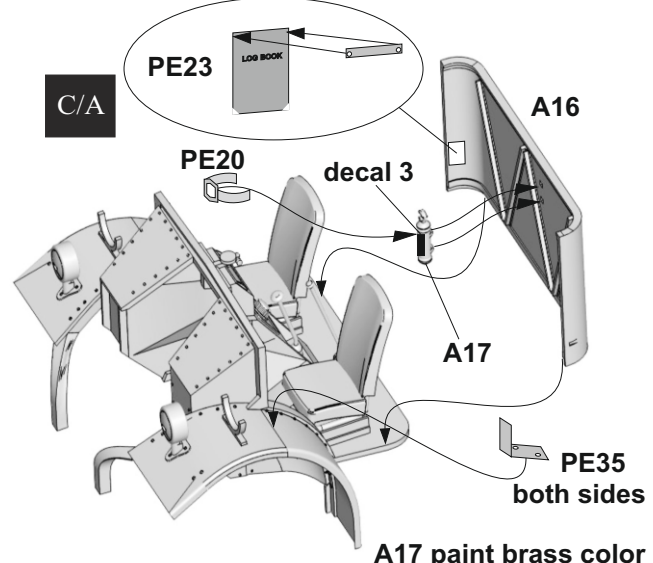
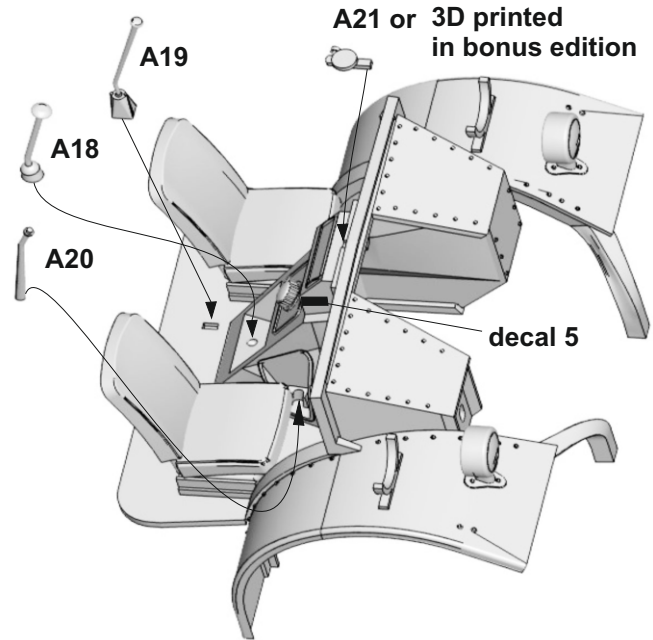
17



16

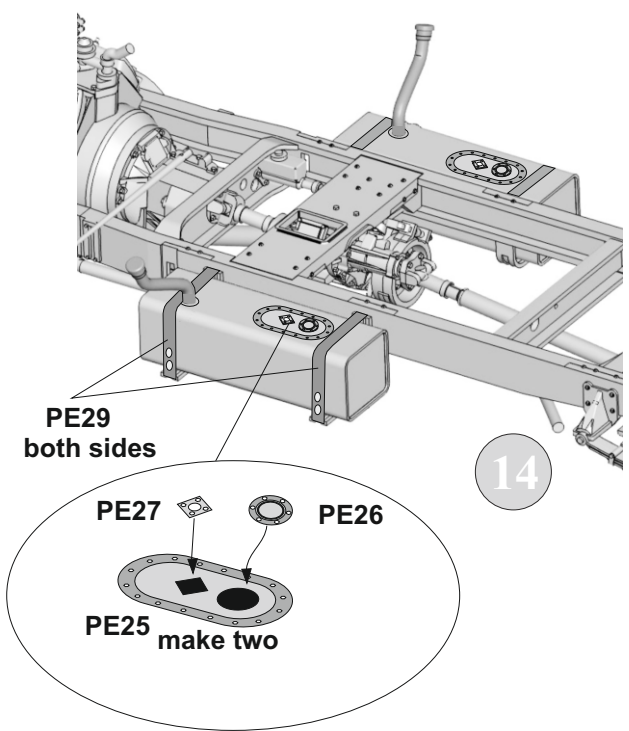


A21 or 3D printed in bonus edition



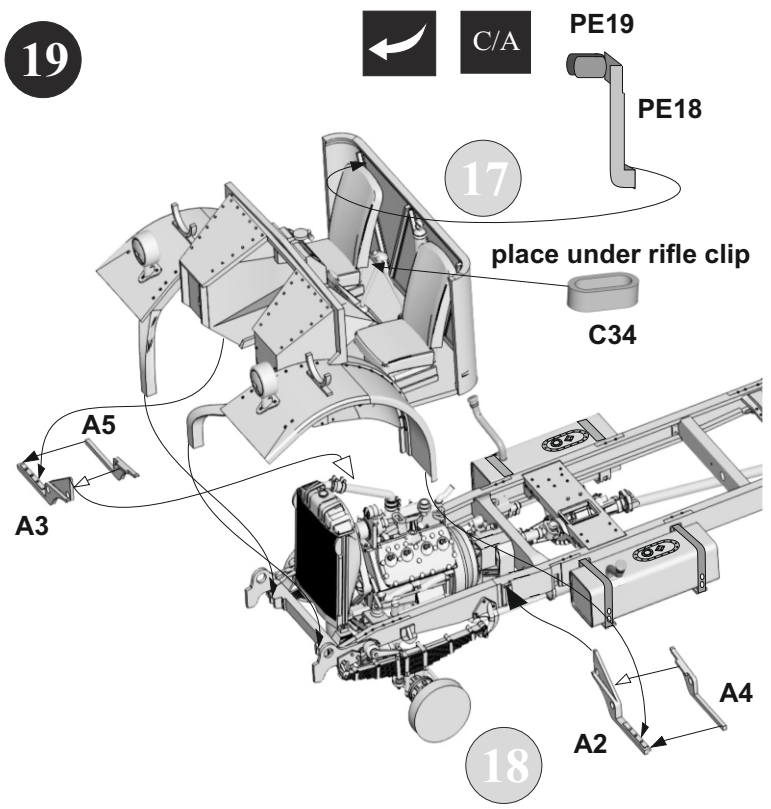
A17 paint brass color

18

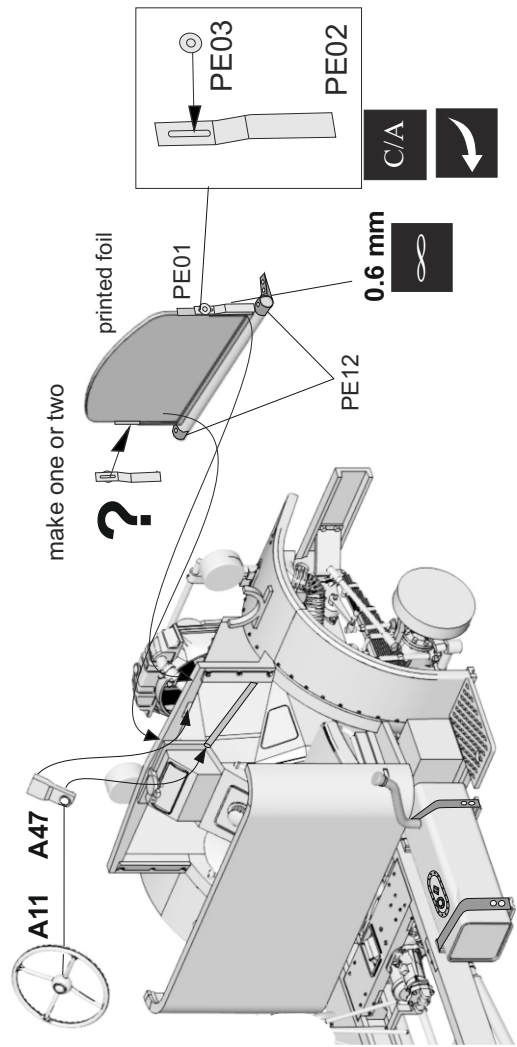
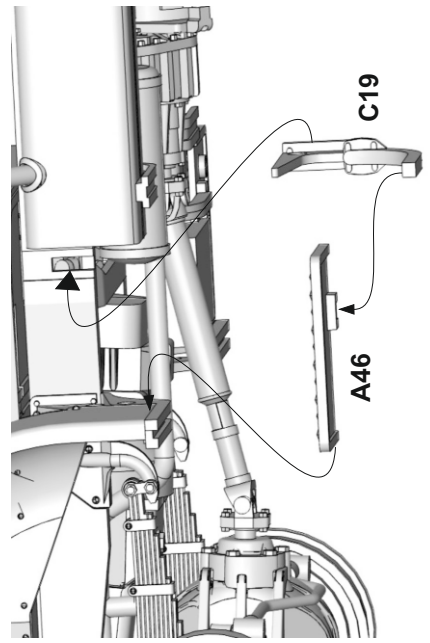
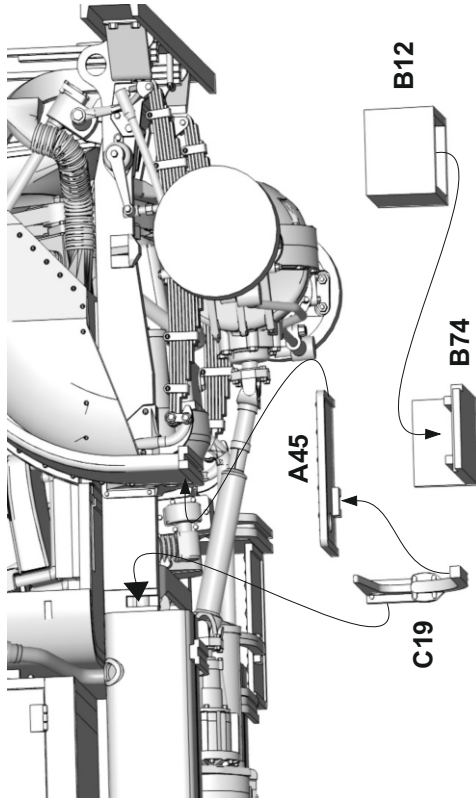
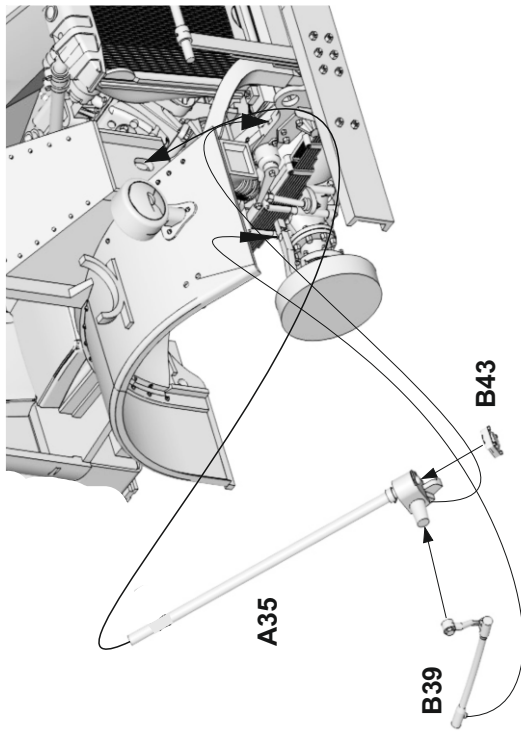
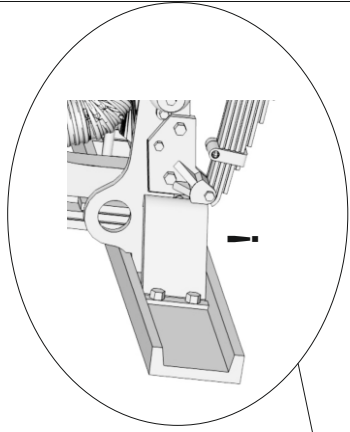
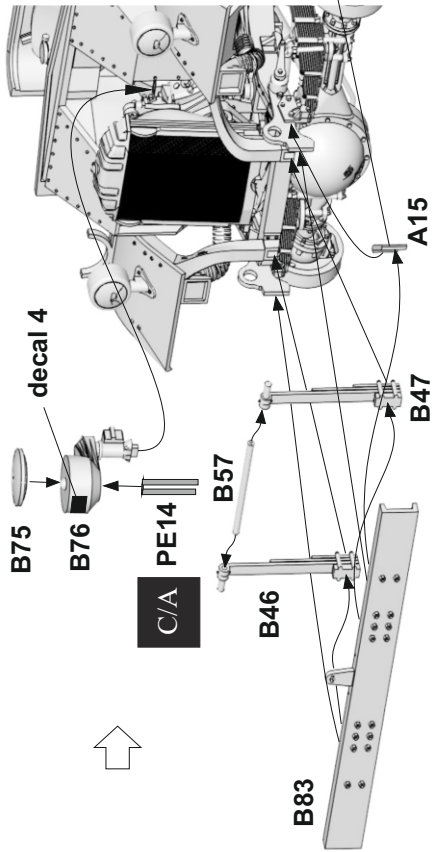
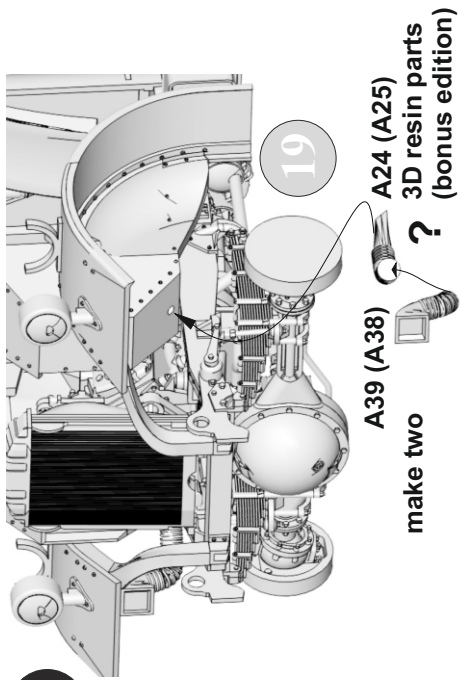


14

19

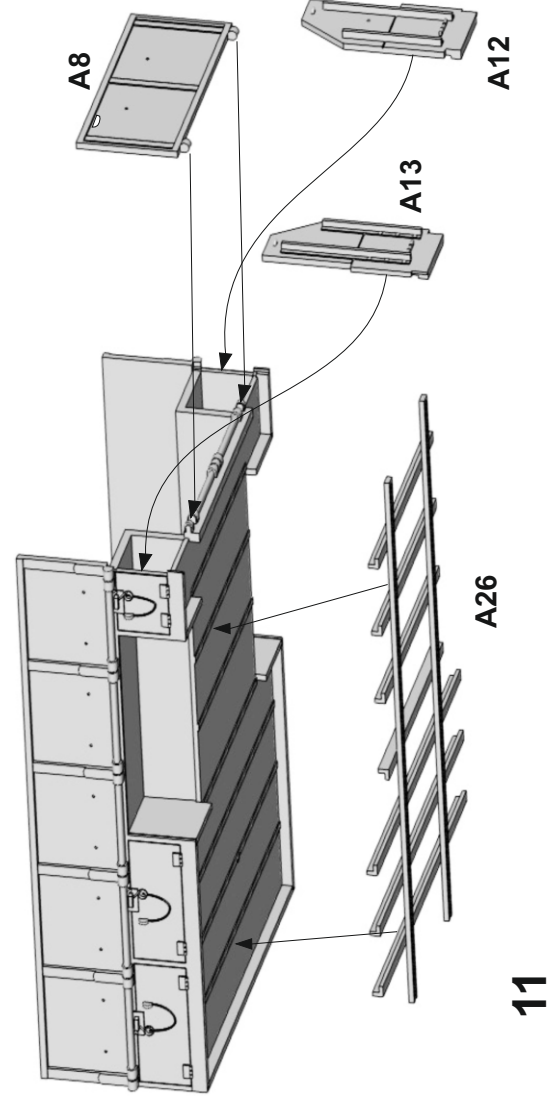
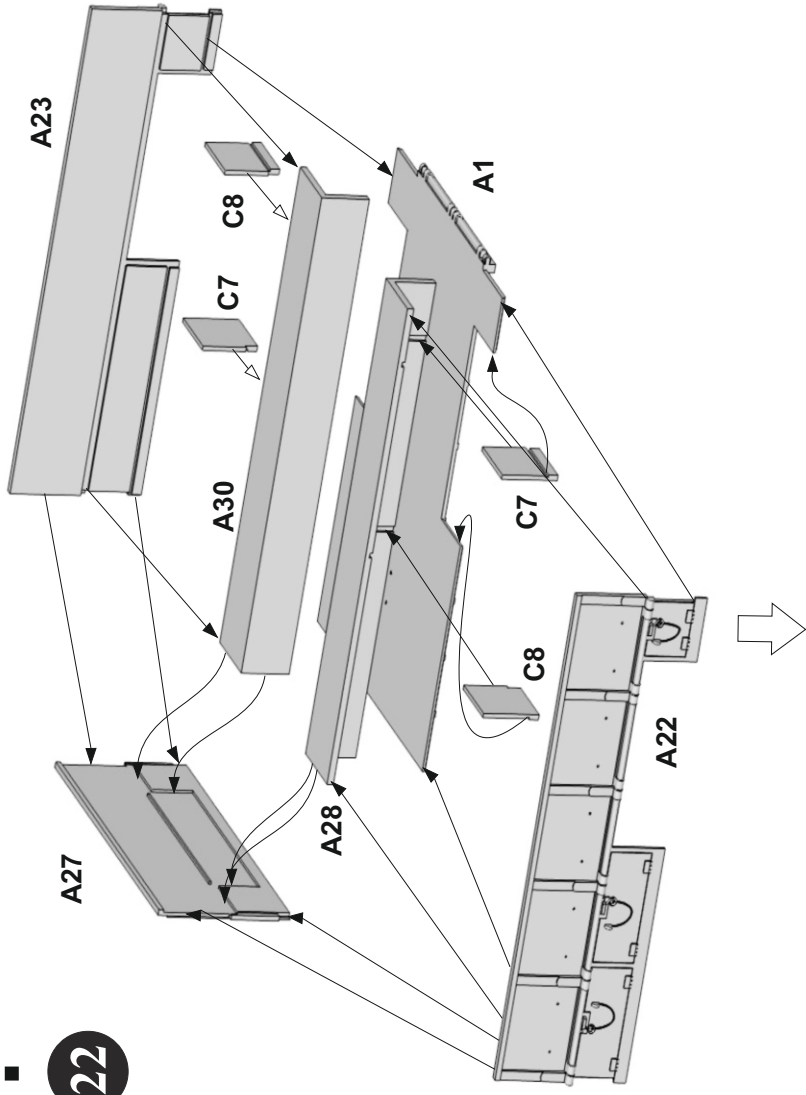


18



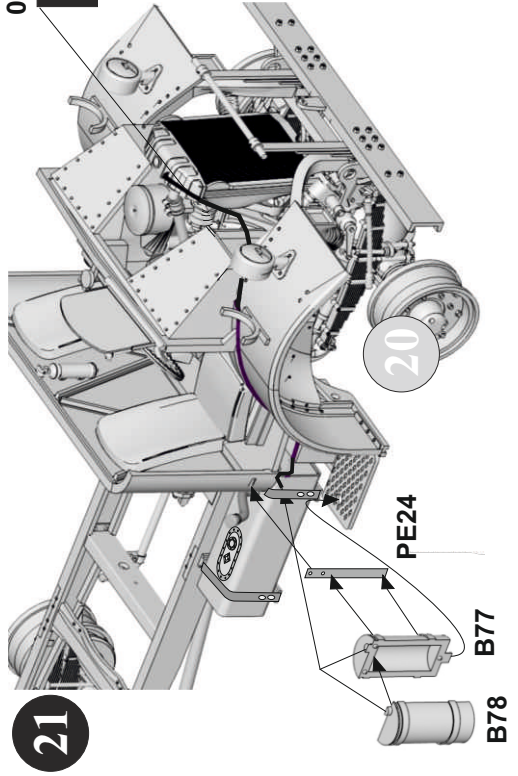
**?** **22**

body fully plastic molded option, not foldable sides



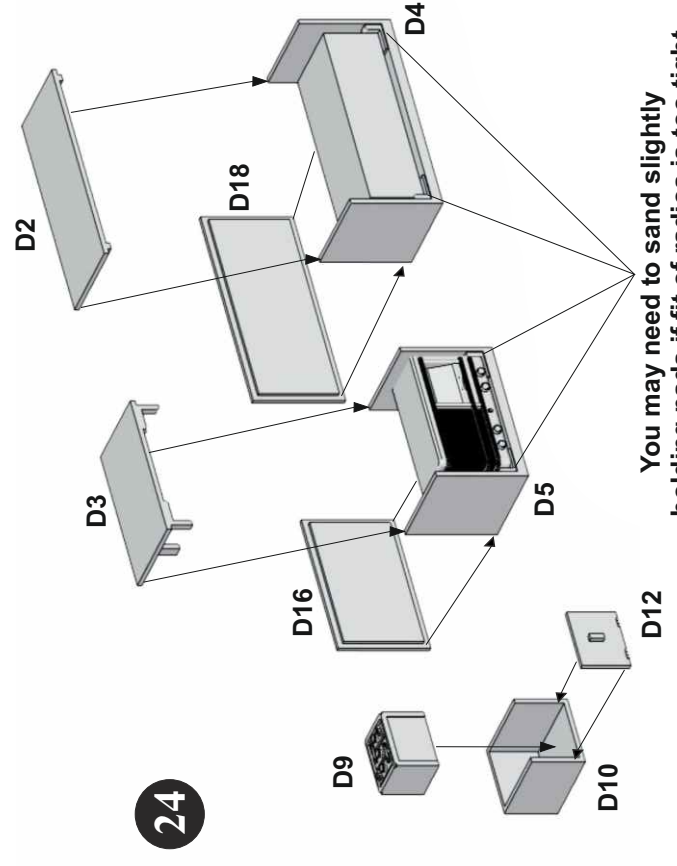
**11**

0,6 mm



**21**

resin cast Philips radio and No.11 Wireless base

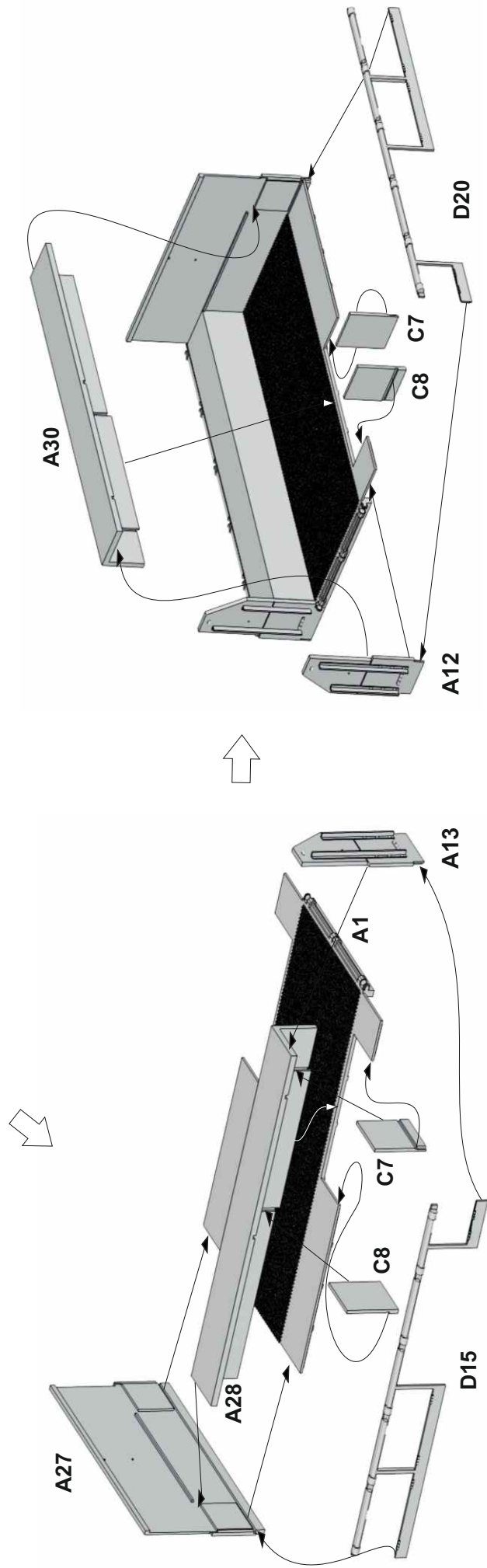
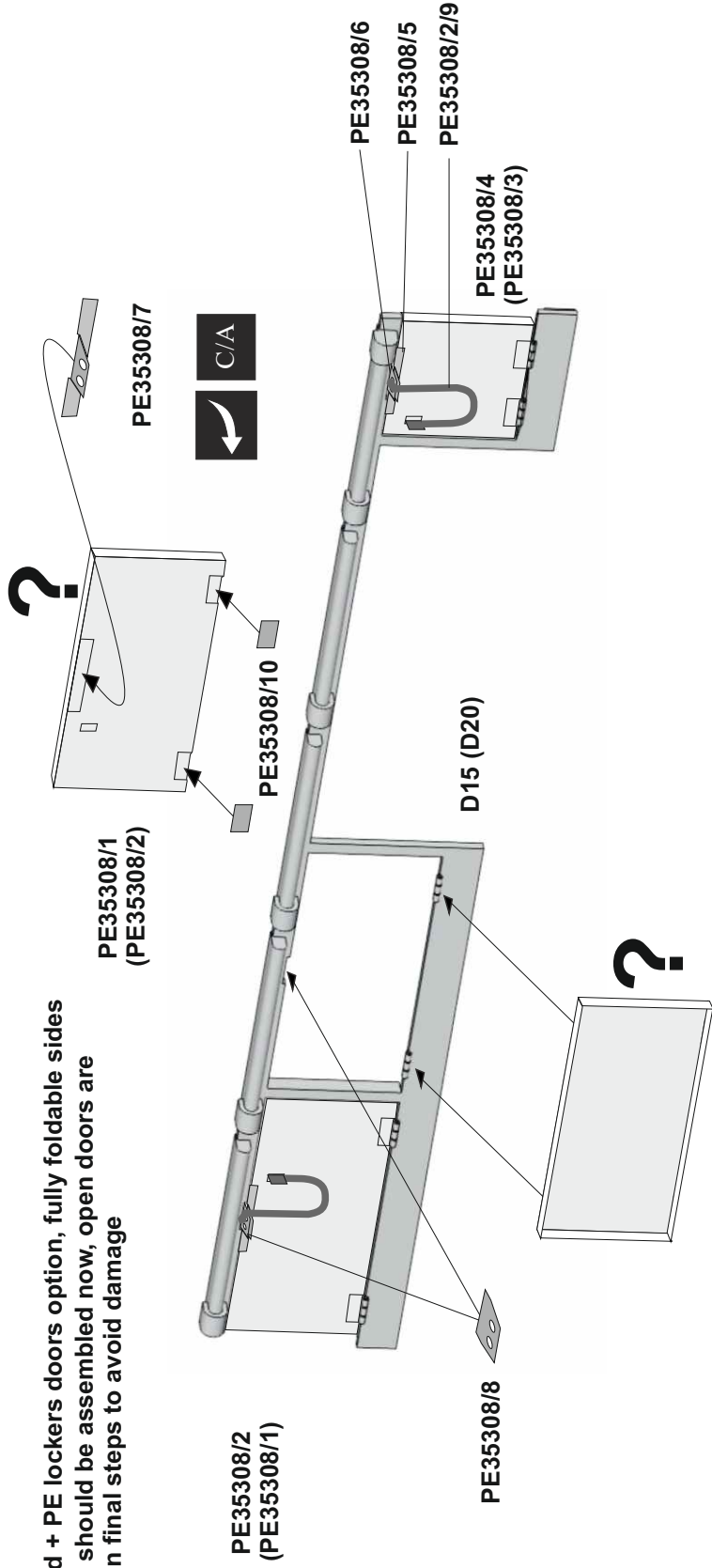


**24**

You may need to sand slightly holding pads if fit of radios is too tight

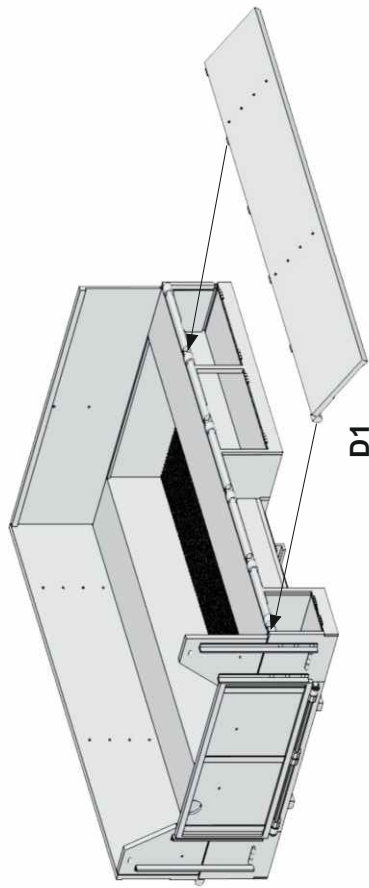
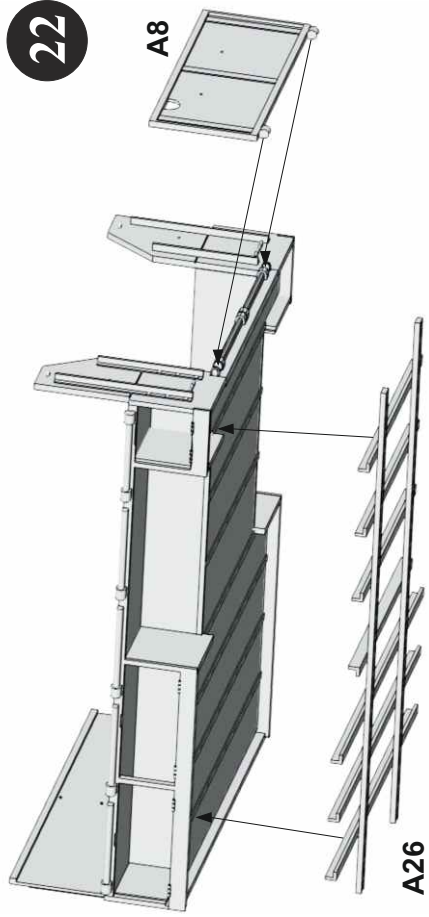


body plastic molded + PE lockers doors option, fully foldable sides  
closed locker doors should be assembled now, open doors are  
easier to assemble in final steps to avoid damage

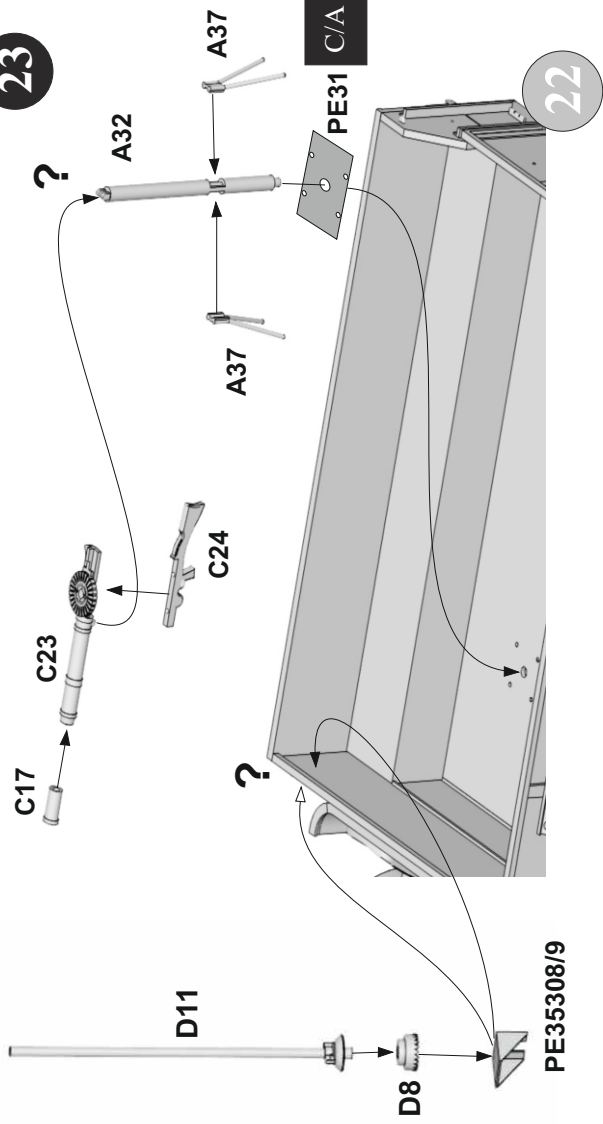




22



23



3D printed  
(bonus edition)

Microphone



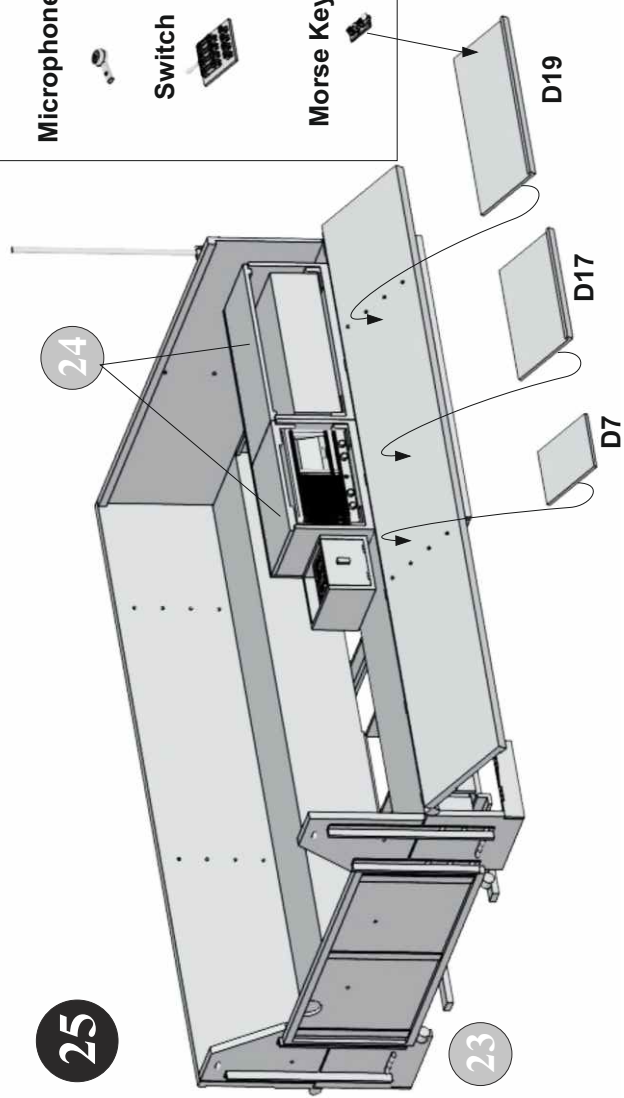
Switch



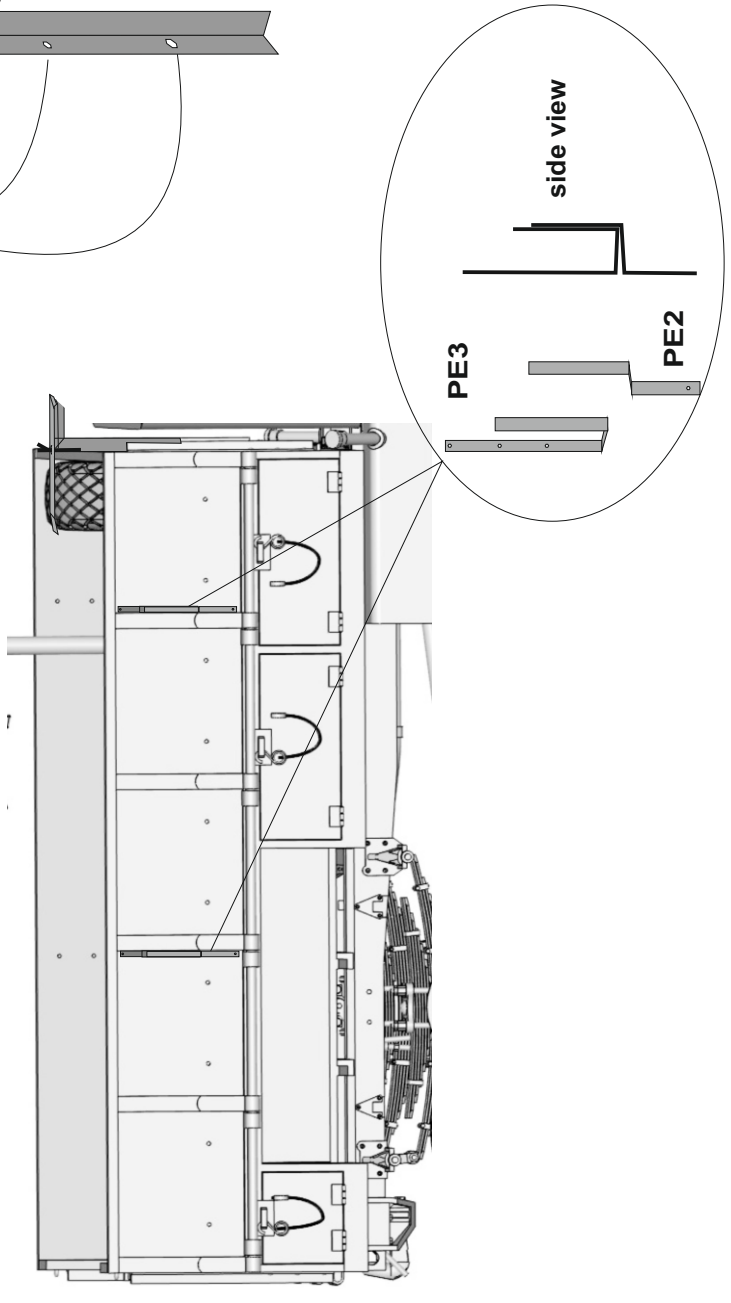
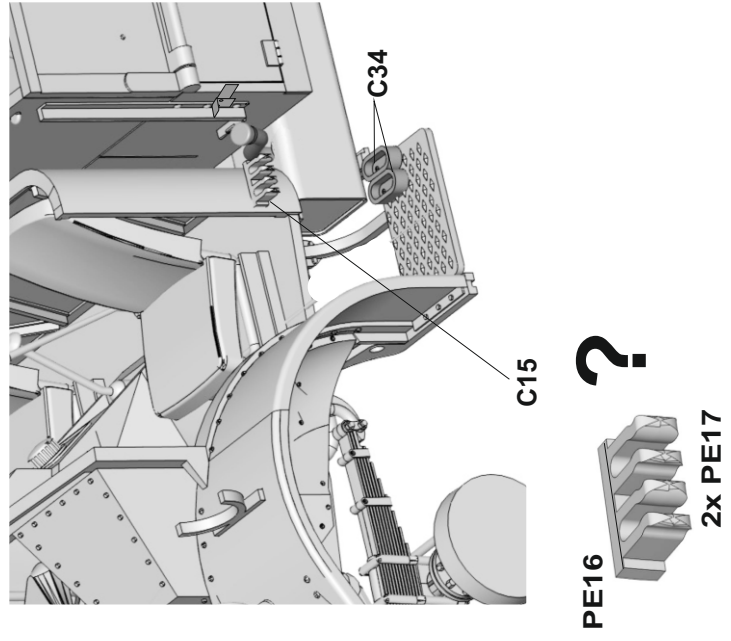
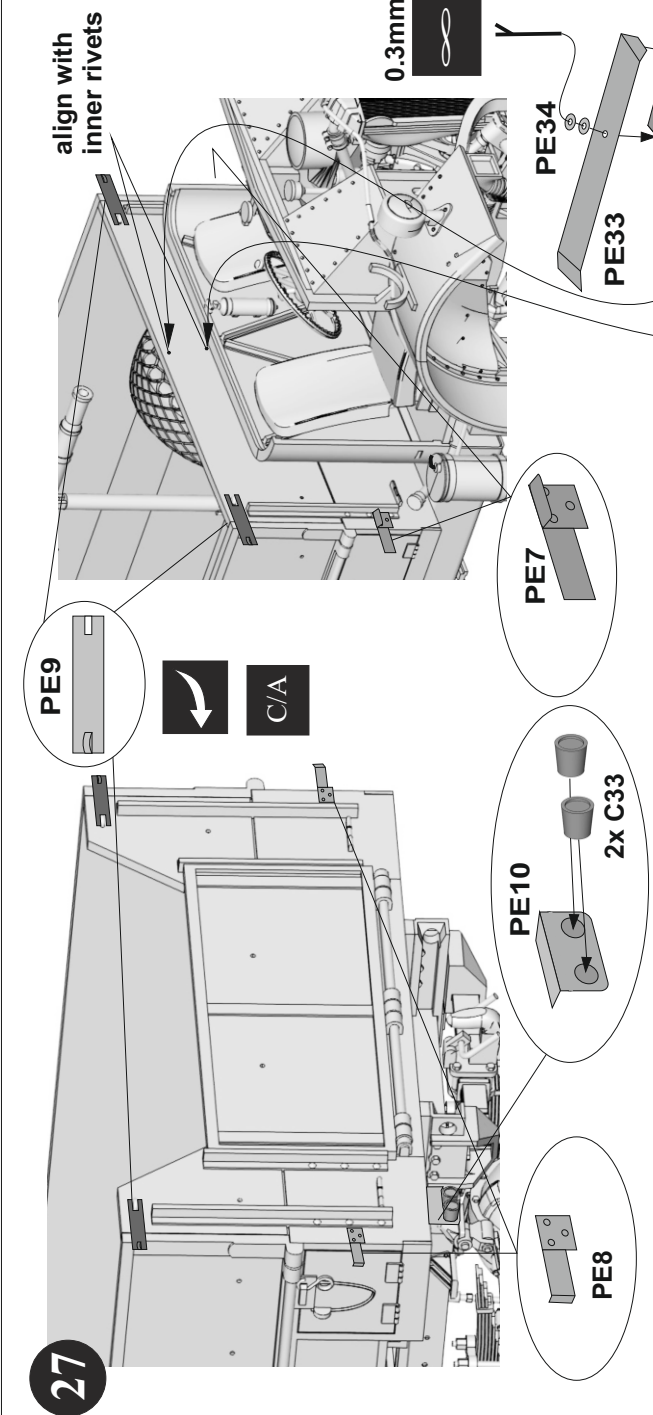
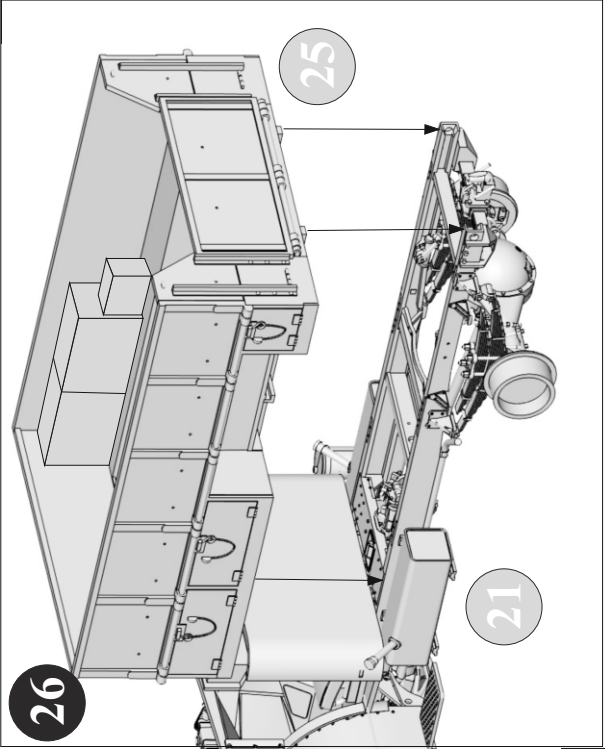
Morse Key

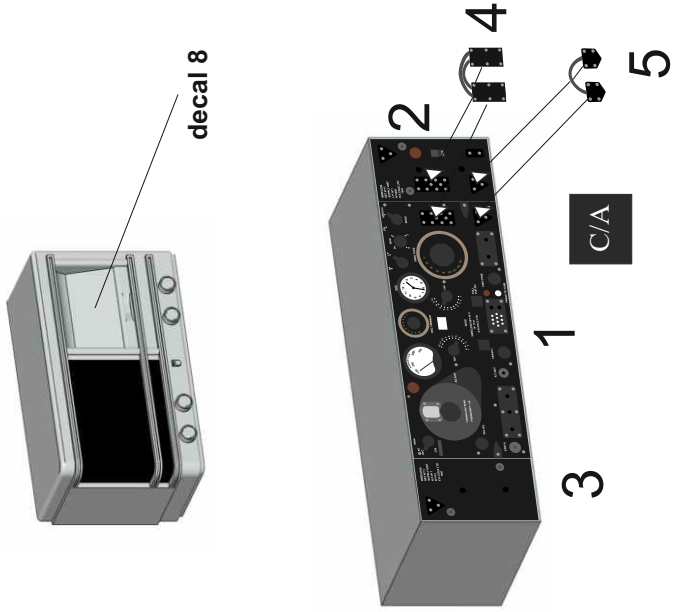


25

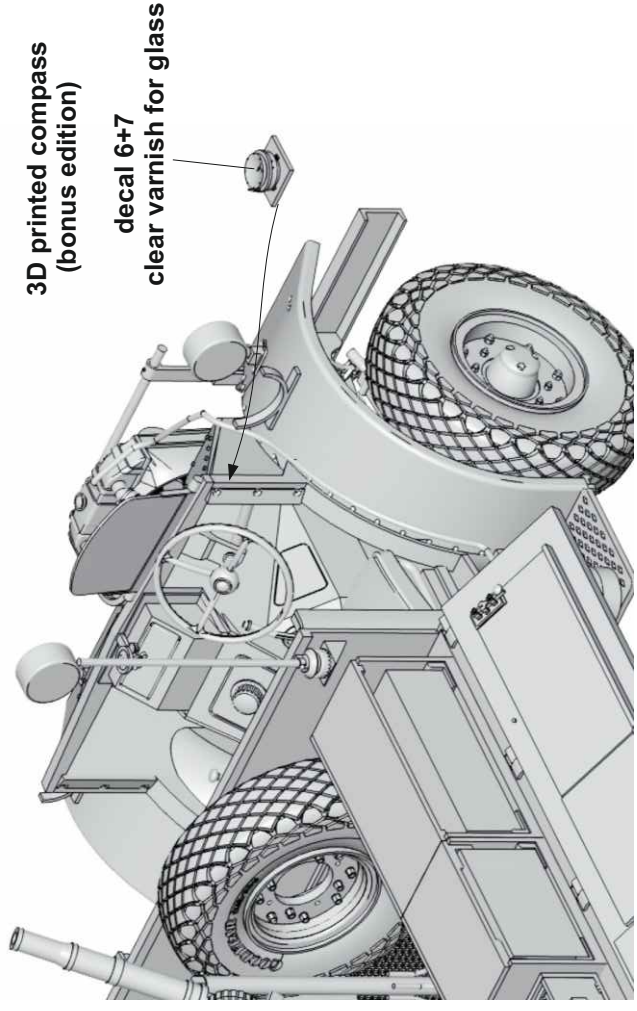
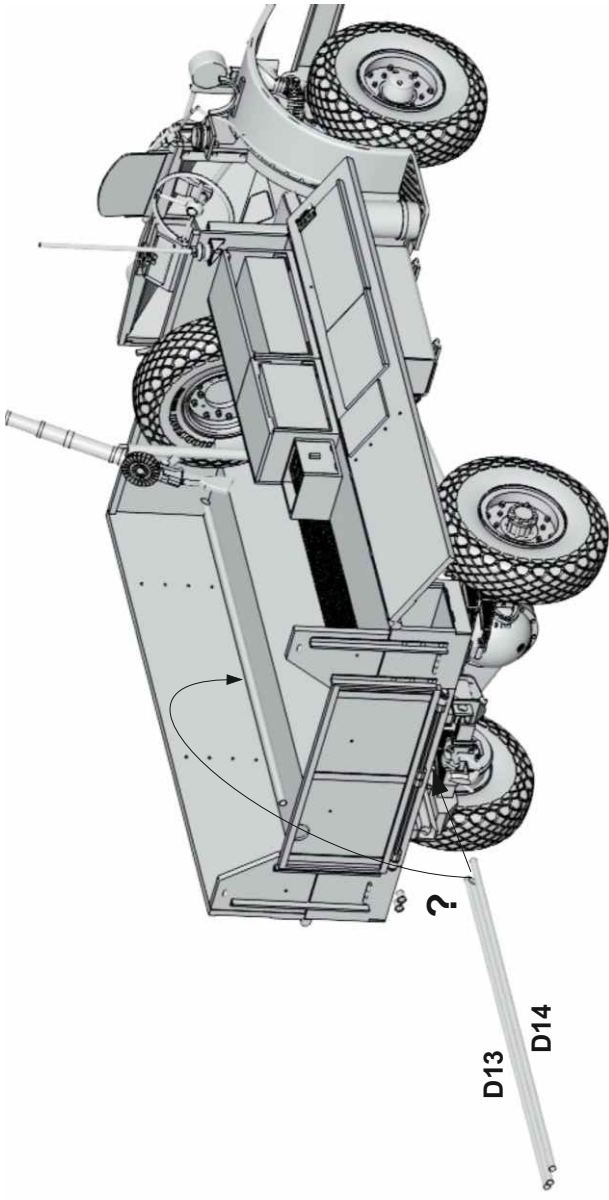


storage containers covers can assemble open, used as pads, or closed



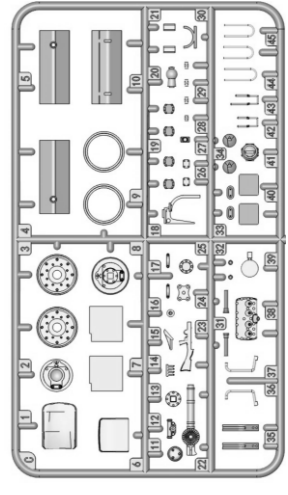
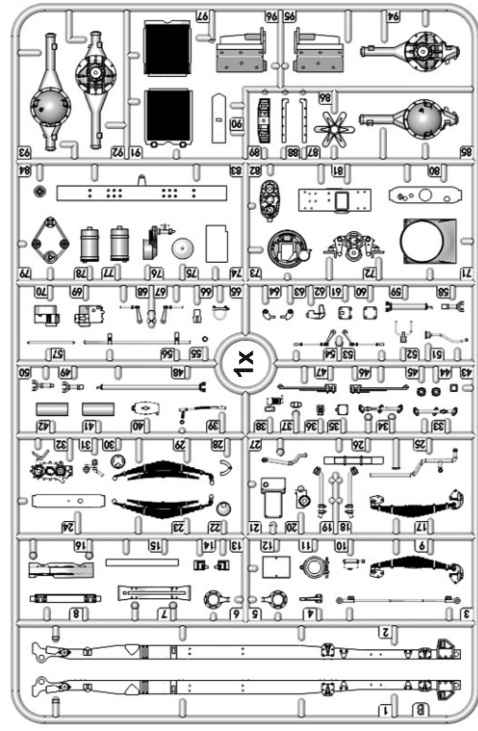
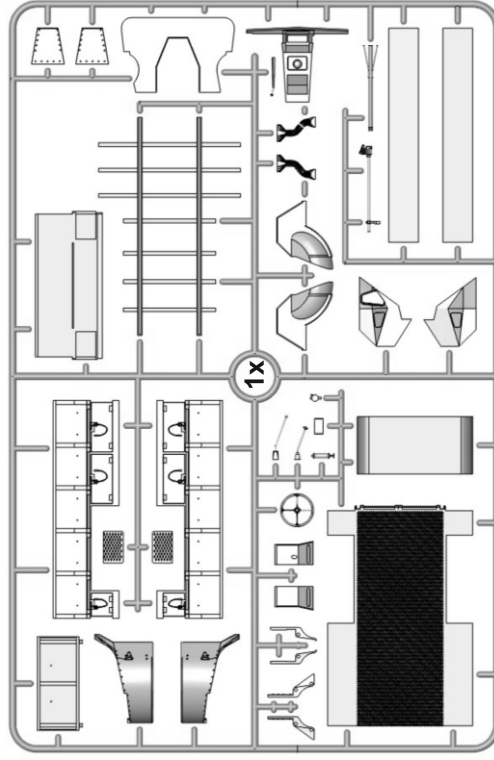
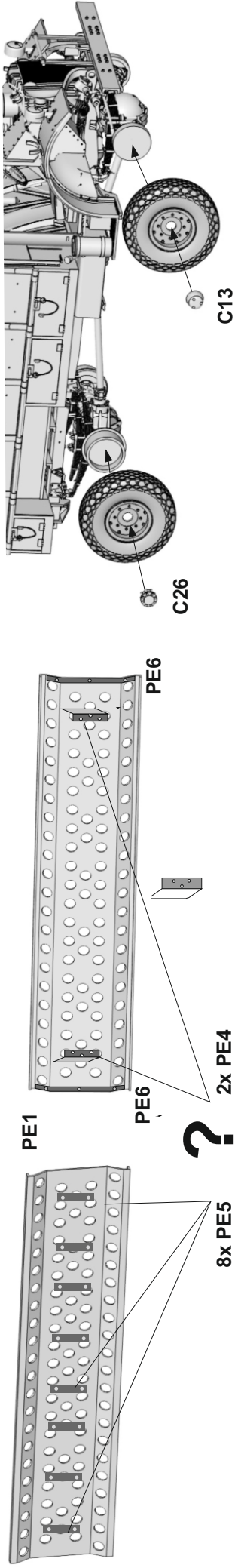


3D printed decals No.11 Wireless



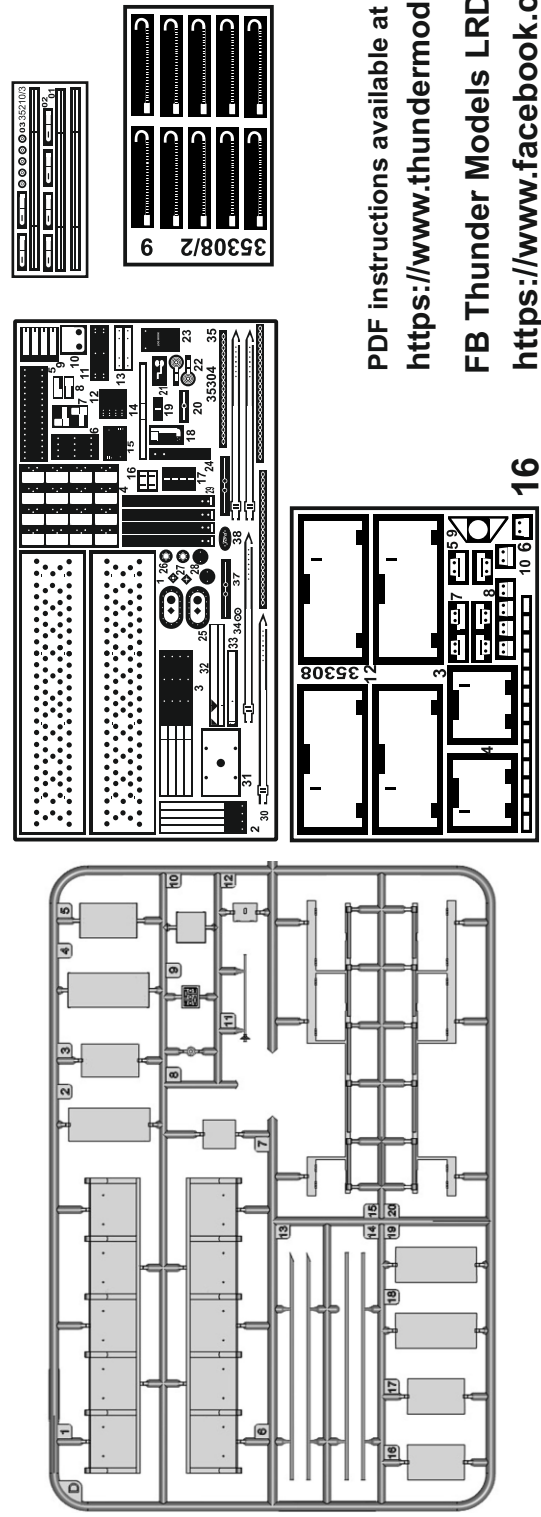


use PE30 to secure sand channels



- 2 clear parts
- 2 clear foil windscreens
- 4+1 resin wheels
- 2x resin parts
- decals
- 3D decals

- Bonus Edition 35309 extras:
- 2 resin figures
- 9x 3D resin upgrade parts
- set of 3D resin weapons



PDF instructions available at  
<https://www.thundermodel.com/Instructions--building-tips.html>  
 FB Thunder Models LRDG Ford F30 Build and Research Group  
<https://www.facebook.com/groups/367361032605238>